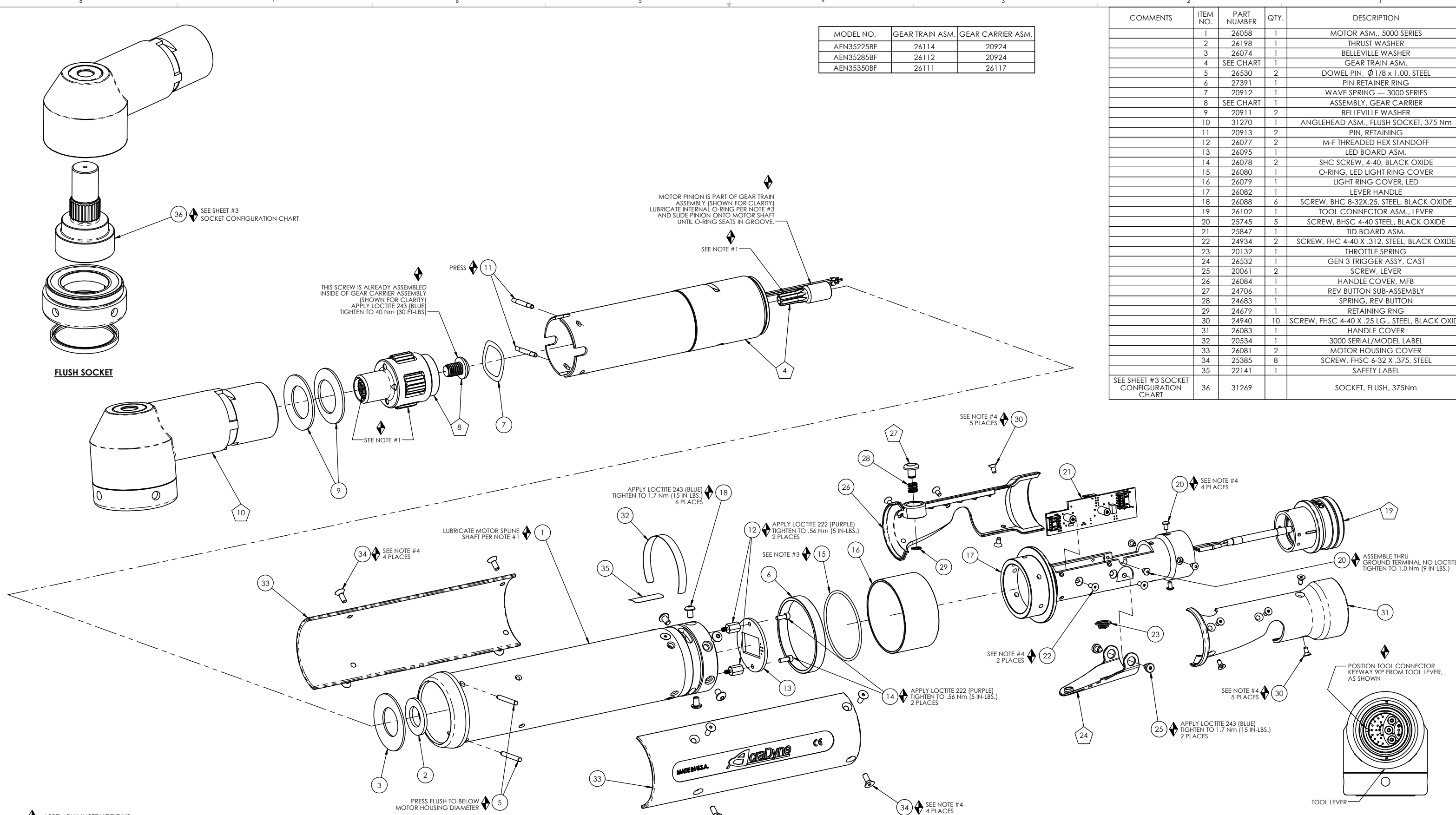


36 SEE SHEET #3 SOCKET CONFIGURATION CHART

MOTOR PINION IS PART OF GEAR TRAIN ASSEMBLY (SHOWN FOR CLARITY) LUBRICATE INTERNAL O-RING PER NOTE #3 AND SLIDE PINION ONTO MOTOR SHAFT UNTIL O-RING SEATS IN GROOVE.

THIS SCREW IS ALREADY ASSEMBLED INSIDE OF GEAR CARRIER ASSEMBLY (SHOWN FOR CLARITY) APPLY LOCTITE 243 (BLUE) TIGHTEN TO 40 Nm (30 FT-LBS)

FLUSH SOCKET



MODEL NO.	GEAR TRAIN ASM.	GEAR CARRIER ASM.
AEN35225BF	26114	20924
AEN35285BF	26112	20924
AEN35350BF	26111	26117

COMMENTS	ITEM NO.	PART NUMBER	QTY.	DESCRIPTION
	1	26058	1	MOTOR ASM., 5000 SERIES
	2	26198	1	THRUST WASHER
	3	26074	1	BELLEVILLE WASHER
	4	SEE CHART	1	GEAR TRAIN ASM.
	5	26530	2	DOWEL PIN, Ø1/8 x 1.00, STEEL
	6	27391	1	PIN RETAINER RING
	7	20912	1	WAVE SPRING --- 3000 SERIES
	8	SEE CHART	1	ASSEMBLY, GEAR CARRIER
	9	20911	2	BELLEVILLE WASHER
	10	31270	1	ANGLEHEAD ASM., FLUSH SOCKET, 375 Nm
	11	20913	2	PIN, RETAINING
	12	26077	2	M-F THREADED HEX STANDOFF
	13	26095	1	LED BOARD ASM.
	14	26078	2	SHC SCREW, 4-40, BLACK OXIDE
	15	26080	1	O-RING, LED LIGHT RING COVER
	16	26079	1	LIGHT RING COVER, LED
	17	26082	1	LEVER HANDLE
	18	26088	6	SCREW, BHC 8-32X.25, STEEL, BLACK OXIDE
	19	26102	1	TOOL CONNECTOR ASM., LEVER
	20	25745	5	SCREW, BHSC 4-40 STEEL, BLACK OXIDE
	21	25847	1	TID BOARD ASM.
	22	24934	2	SCREW, FHC 4-40 X .312, STEEL, BLACK OXIDE
	23	20132	1	THROTTLE SPRING
	24	26532	1	GEN 3 TRIGGER ASSY, CAST
	25	20061	2	SCREW, LEVER
	26	26084	1	HANDLE COVER, MFB
	27	24706	1	REV BUTTON SUB-ASSEMBLY
	28	24683	1	SPRING, REV BUTTON
	29	24679	1	RETAINING RNG
	30	24940	10	SCREW, FHSC 4-40 X .25 LG., STEEL, BLACK OXIDE
	31	26083	1	HANDLE COVER
	32	20534	1	3000 SERIAL/MODEL LABEL
	33	26081	2	MOTOR HOUSING COVER
	34	25385	8	SCREW, FHSC 6-32 X .375, STEEL
	35	22141	1	SAFETY LABEL
SEE SHEET #3 SOCKET CONFIGURATION CHART	36	31269		SOCKET, FLUSH, 375Nm

- ◆ ASSEMBLY INSTRUCTIONS
- ◊ SUB-ASSEMBLY

- GEARS & SPLINES: LUBRICATE WITH DOW CORNING MOLYKOTE BR2 PLUS GREASE.
- BEARINGS: LUBRICATE WITH CHEVRON SR1 GREASE
- O-RINGS: LUBRICATE WITH O-RING LUBE
- APPLY LOCTITE 222 (PURPLE), TIGHTEN TO 1.0Nm (9 IN-LBS)

PRESS FLUSH TO BELOW MOTOR HOUSING DIAMETER



DOCUMENT CONTROL
 PRINTED COPIES OF THIS DOCUMENT ARE CONSIDERED TO BE UNCONTROLLED DOCUMENTS. HOLDERS ARE RESPONSIBLE FOR VERIFYING THE CURRENT REVISION LEVEL WITH PURCHASING OR ENGINEERING PRIOR TO USE OR FABRICATION. THE CONTROLLED VERSION OF THIS DOCUMENT IS ELECTRONICALLY MAINTAINED.

PROPRIETARY AND CONFIDENTIAL
 THIS DRAWING CONTAINS INFORMATION STRICTLY CONFIDENTIAL TO ACRADYNE/AIMCO. IN THE ABSENCE OF EXPRESSED WRITTEN PERMISSION, ACRADYNE/AIMCO HAS LOANED THIS COPY WITH THE MUTUAL UNDERSTANDING THAT (A) IT WILL NOT BE USED FOR ANY PURPOSE OTHER THAN FOR THAT IN WHICH IT WAS PROVIDED, (B) THE DATA CONTAINED HEREIN WILL NOT BE DISCLOSED TO OTHERS, (C) IT WILL NOT BE REPRODUCED, AND (D) IT WILL BE RETURNED TO ACRADYNE/AIMCO IMMEDIATELY UPON DEMAND.

REVISION LEVEL	REVISION RELEASE DATE	DESCRIPTION OF CHANGES MADE TO PART	ECN #	AUTHOR/ APPROVAL

UNLESS OTHERWISE SPECIFIED, DIMENSIONS ARE IN INCHES
 DIMENSIONS AND TOLERANCING PER ANSI Y14.5 SURFACE ROUGHNESS PER ANSI Y14.36

BLOCK TOLERANCING PER DECIMAL:
 .X = ±.030 .XX = ±.010 .XXX = ±.005 .XXXX = ±.0005
 ANGLE = ±0° 30'

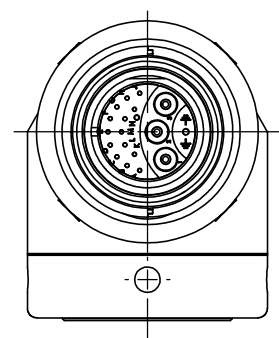
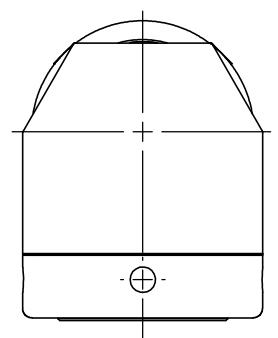
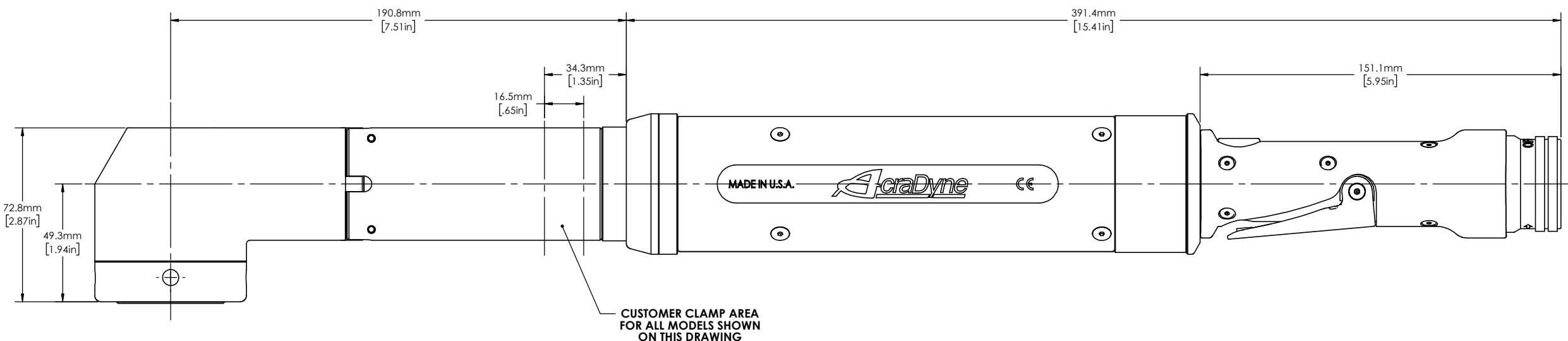
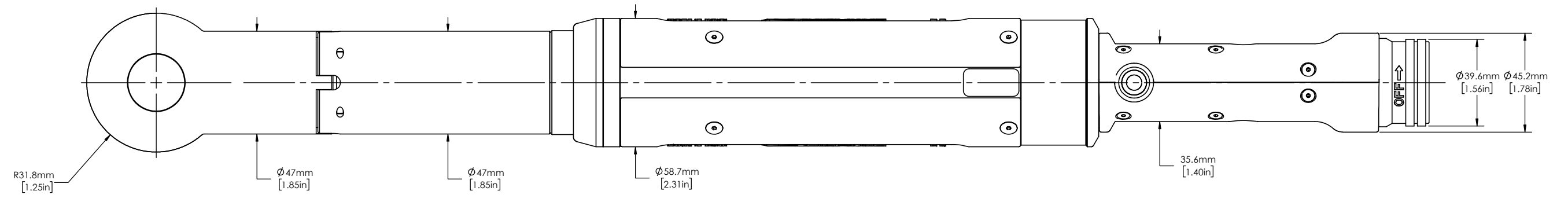
REMOVE BURRS AND SHARP EDGES: R.015 MAX MACHINE SURFACE FINISH: 125 RMS OR BETTER

DRAWINGS AND TECHNICAL DOCUMENTS CONTROLLED BY:
ACRADYNE MECHANICAL ENGINEERING

ANGLE NUTRUNNER FLUSH SOCKET 5000-SERIES

SIZE	PART / DRAWING NUMBER	REVISION
D	AEN35 BF	A

SCALE: 3:4 DO NOT SCALE DRAWING SHEET 1 OF 3



DOCUMENT CONTROL
 PRINTED COPIES OF THIS DOCUMENT ARE CONSIDERED TO BE UNCONTROLLED DOCUMENTS. HOLDERS ARE RESPONSIBLE FOR VERIFYING THE CURRENT REVISION LEVEL WITH PURCHASING OR ENGINEERING PRIOR TO USE OR FABRICATION. THE CONTROLLED VERSION OF THIS DOCUMENT IS ELECTRONICALLY MAINTAINED.

PROPRIETARY AND CONFIDENTIAL
 THIS DRAWING CONTAINS INFORMATION STRICTLY CONFIDENTIAL TO ACRADYNE/AMCO. IN THE ABSENCE OF EXPRESSED WRITTEN PERMISSION, ACRADYNE/AMCO HAS LOANED THIS COPY WITH THE MUTUAL UNDERSTANDING THAT (A) IT WILL NOT BE USED FOR ANY PURPOSE OTHER THAN FOR THAT IN WHICH IT WAS PROVIDED, (B) THE DATA CONTAINED HEREIN WILL NOT BE DISCLOSED TO OTHERS, (C) IT WILL NOT BE REPRODUCED, AND (D) IT WILL BE RETURNED TO ACRADYNE/AMCO IMMEDIATELY UPON DEMAND.

REVISION LEVEL	REVISION RELEASE DATE	DESCRIPTION OF CHANGES MADE TO PART	ECN #	AUTHOR/ APPROVAL

UNLESS OTHERWISE SPECIFIED, DIMENSIONS ARE IN INCHES
 DIMENSIONS AND TOLERANCING PER ANSI Y14.5
 SURFACE ROUGHNESS PER ANSI Y14.36

BLOCK TOLERANCING PER DECIMAL:
 .X = ±.030 .XX = ±.010 .XXX = ±.005 .XXXX = ±.0005
 ANGLE = ±0°30'

REMOVE BURRS AND SHARP EDGES: R.015 MAX
 MACHINE SURFACE FINISH: 125 RMS OR BETTER

DRAWINGS AND TECHNICAL DOCUMENTS CONTROLLED BY:
ACRADYNE MECHANICAL ENGINEERING

ANGLE NUTRUNNER FLUSH SOCKET
5000 SERIES

SIZE	PART / DRAWING NUMBER	REVISION
D	AEN35 BF	A
SCALE 1:1	DO NOT SCALE DRAWING	SHEET 2 OF 3

BASE MODEL	DOT	SOCKET BASE	COLUMN 1	SOCKET SIZE	COLUMN 2	EXT.	COLUMN 3	MAGNET	COLUMN 4
AEN35__ _BF	.	X	DRIVE TYPE	X	HEX SIZE	X	EXTENSION LENGTH	X	MAGNET OPTION
		A	31269 SINGLE HEX	A	16mm	A	0	0	NO MAGNET
		B	31269 DOUBLE HEX	B	17mm	B	3mm (.118)	1	WITH MAGNET
		C	31269 SURFACE DRIVE	C	18mm	C	6mm (.236)		
				D	19mm	D	9mm (.354)		
				E	20mm	E	12mm (.472)		
				F	21mm	F	15mm (.591)		
				G	22mm	G	18mm (.708)		
				H	23mm	H	21mm (.827)		
				I	24mm	I	24mm (.944)		
				J	5/8"	J			
				K	11/16"	K			
				L	3/4"	L			
				M	13/16"	M			
				N	7/8"	N			
				P	15/16"	P			
				Q	1"	Q			
				R		R			
				S		S			
				T		T			
				U		U			
				V		V			
				W		W			
				X		X			
				Y		Y			
				Z		Z			

EXAMPLE MODEL NUMBER: AEN35285BF.CBF0 = SURFACE DRIVE, 17mm HEX, 15mm EXT., NO MAGNET



DOCUMENT CONTROL
 PRINTED COPIES OF THIS DOCUMENT ARE CONSIDERED TO BE UNCONTROLLED DOCUMENTS. HOLDERS ARE RESPONSIBLE FOR VERIFYING THE CURRENT REVISION LEVEL WITH PURCHASING OR ENGINEERING PRIOR TO USE OR FABRICATION. THE CONTROLLED VERSION OF THIS DOCUMENT IS ELECTRONICALLY MAINTAINED.

PROPRIETARY AND CONFIDENTIAL
 THIS DRAWING CONTAINS INFORMATION STRICTLY CONFIDENTIAL TO ACRADYNE/AIMCO. IN THE ABSENCE OF EXPRESSED WRITTEN PERMISSION, ACRADYNE/AIMCO HAS LOANED THIS COPY WITH THE MUTUAL UNDERSTANDING THAT (A) IT WILL NOT BE USED FOR ANY PURPOSE OTHER THAN FOR THAT IN WHICH IT WAS PROVIDED, (B) THE DATA CONTAINED HEREIN WILL NOT BE DISCLOSED TO OTHERS, (C) IT WILL NOT BE REPRODUCED, AND (D) IT WILL BE RETURNED TO ACRADYNE/AIMCO IMMEDIATELY UPON DEMAND.

REVISION LEVEL	REVISION RELEASE DATE	DESCRIPTION OF CHANGES MADE TO PART	ECN #	AUTHOR/ APPROVAL

UNLESS OTHERWISE SPECIFIED, DIMENSIONS ARE IN INCHES
 DIMENSIONS AND TOLERANCING PER ANSI Y14.5
 SURFACE ROUGHNESS PER ANSI Y14.36

BLOCK TOLERANCING PER DECIMAL:
 .X = ±.030 .XX = ±.010 .XXX = ±.005 .XXXX = ±.0005
 ANGLE = ±0° 30'

REMOVE BURRS AND SHARP EDGES: R.015 MAX
 MACHINE SURFACE FINISH: 125 RMS OR BETTER

DRAWINGS AND TECHNICAL DOCUMENTS CONTROLLED BY:
ACRADYNE MECHANICAL ENGINEERING

ANGLE NUTRUNNER FLUSH SOCKET 5000-SERIES

SIZE	PART / DRAWING NUMBER	REVISION
B	AEN35__ _BF	A
SCALE: N/A	DO NOT SCALE DRAWING	SHEET 3 OF 3