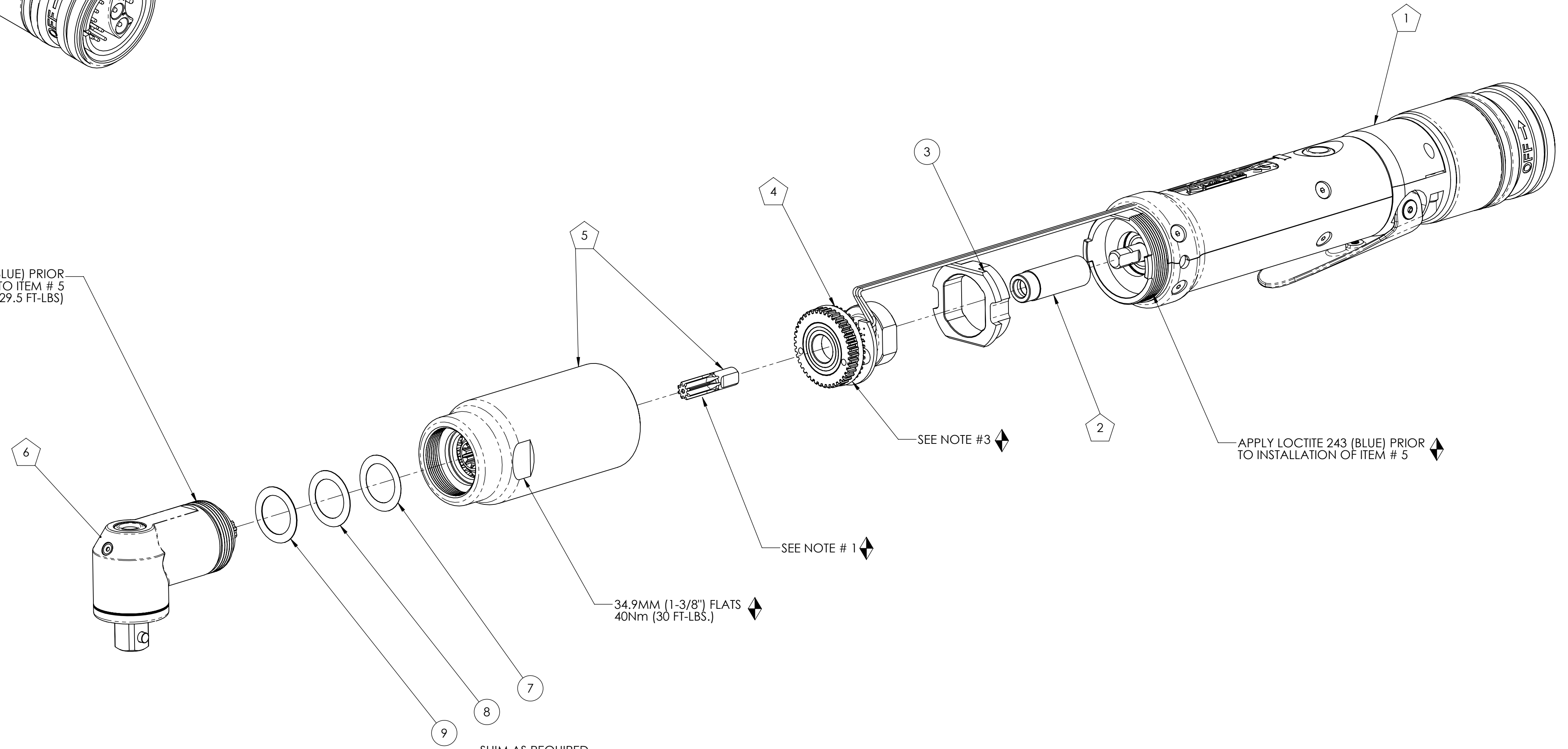


SCALE 1:1

COMMENTS	ITEM NO.	PART NUMBER	QTY	DESCRIPTION
	1	25786	1	HANDLE ASSEMBLY- 1000 SERIES
	2	24780	1	MOTOR COUPLER SUB-ASM.
	3	25763	1	TRANSDUCER ADAPTOR
	4	SEE CHART	1	TRANSDUCER SUB-ASM., 20Nm
	5	SEE CHART	1	GEAR CASE SUB-ASM.
	6	24890	1	ANGLE HEAD ASM, STUBBY, 3/8" SQ. DR.
	7	24855	A/R	SHIM .1MM, 14MM ID X 20MM OD
	8	24856	A/R	SHIM .2MM, 14MM ID X 20MM OD
	9	24857	A/R	SHIM .3MM, 14MM ID X 20MM OD

TOOL MODEL NO.	TRANSDUCER ASM.	GEAR CASE ASM.
AEN4C12009B	25760.003	24860
AEN4C12014B	25761.002	24709
AEN4C12018B	25761.004	24792
AEN4C12022B	25761.006	24710

◆ APPLY LOCTITE 243 (BLUE) PRIOR TO INSTALLATION INTO ITEM # 5 TIGHTEN TO 40 Nm (29.5 FT-LBS)



- ◆ ASSEMBLY INSTRUCTIONS
- ◻ SUB-ASSEMBLY

- 1) GEARS & SPLINES: LUBRICATE WITH DOW CORNING MOLYKOTE BR2 PLUS GREASE.
- 2) BEARINGS: LUBRICATE WITH CHEVRON SR1 GREASE
- 3) O-RINGS: LUBRICATE WITH O-RING LUBE

REQUIRED TOOLING
SNAP-ON CROWFOOT WRENCH, 1/2" SQ. DR. X 1-3/8" OPENING SNAP-ON PART NUMBER SC044
MOTOR ASSEMBLY HOLDER - PART NUMBER 25894
LOCTITE #243 BLUE
TORQUE WRENCH, 1/2" DRIVE



DOCUMENT CONTROL
 PRINTED COPIES OF THIS DOCUMENT ARE CONSIDERED TO BE UNCONTROLLED DOCUMENTS. HOLDERS ARE RESPONSIBLE FOR VERIFYING THE CURRENT REVISION LEVEL WITH PURCHASING OR ENGINEERING PRIOR TO USE OR FABRICATION. THE CONTROLLED VERSION OF THIS DOCUMENT IS ELECTRONICALLY MAINTAINED.

PROPRIETARY AND CONFIDENTIAL
 THIS DRAWING CONTAINS INFORMATION STRICTLY CONFIDENTIAL TO ACRADYNE/AIMCO. IN THE ABSENCE OF EXPRESSED WRITTEN PERMISSION, ACRADYNE/AIMCO HAS LOANED THIS COPY WITH THE MUTUAL UNDERSTANDING THAT (A) IT WILL NOT BE USED FOR ANY PURPOSE OTHER THAN FOR THAT IN WHICH IT WAS PROVIDED, (B) THE DATA CONTAINED HEREIN WILL NOT BE DISCLOSED TO OTHERS, (C) IT WILL NOT BE REPRODUCED, AND (D) IT WILL BE RETURNED TO ACRADYNE/AIMCO IMMEDIATELY UPON DEMAND.

REVISION LEVEL	REVISION RELEASE DATE	DESCRIPTION OF CHANGES MADE TO PART	ECN #	AUTHOR/ APPROVAL

UNLESS OTHERWISE SPECIFIED, DIMENSIONS ARE IN INCHES
 DIMENSIONS AND TOLERANCING PER ANSI Y14.5
 SURFACE ROUGHNESS PER ANSI Y14.36

BLOCK TOLERANCING PER DECIMAL:
 .X = ±.030 .XX = ±.010 .XXX = ±.005 .XXXX = ±.0005
 ANGLE = ±0° 30'

REMOVE BURRS AND SHARP EDGES: R.015 MAX
 MACHINE SURFACE FINISH: 125 RMS OR BETTER

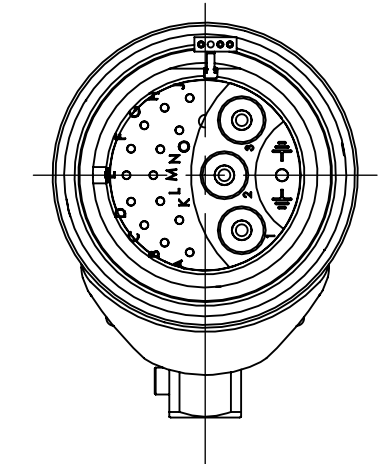
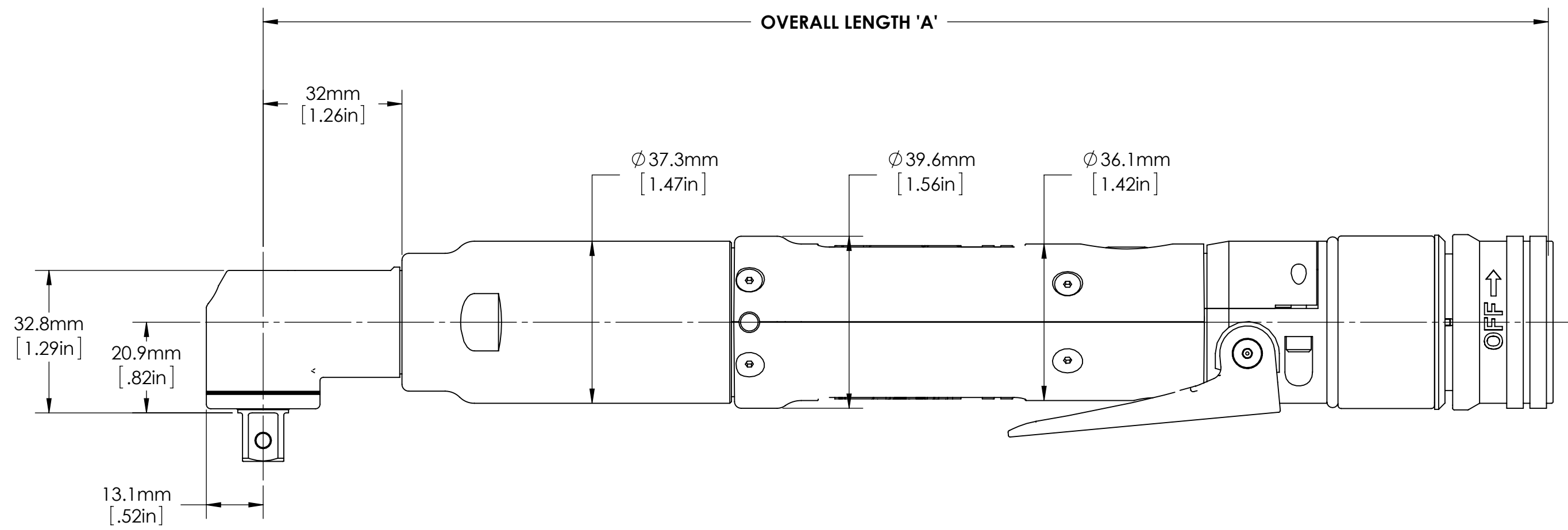
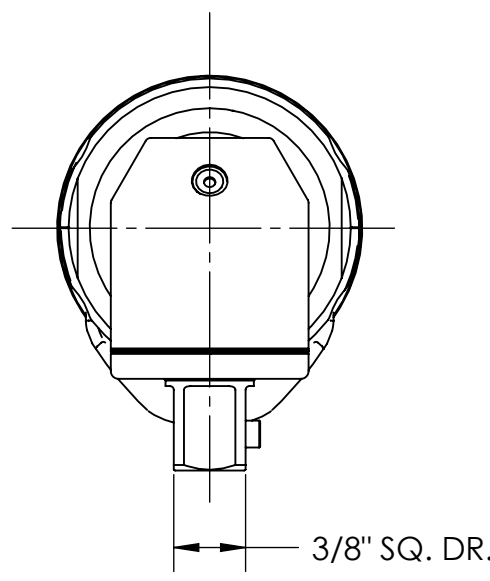
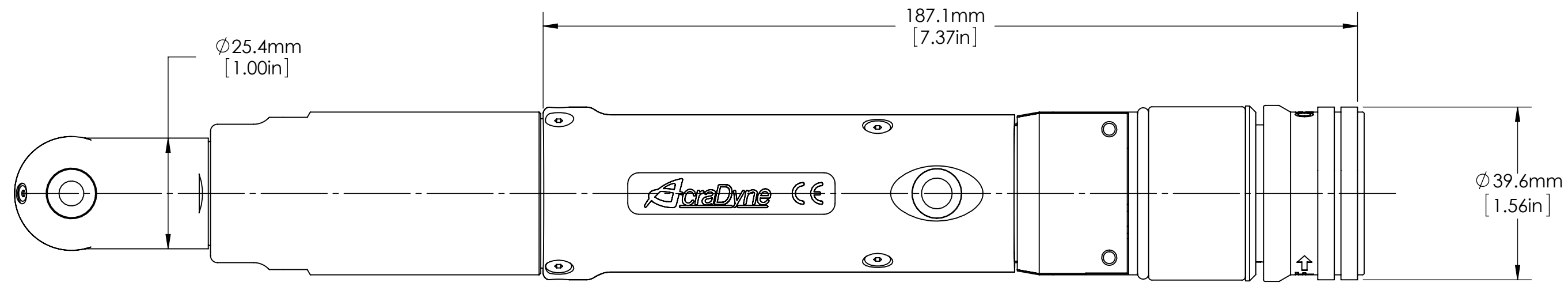
DRAWINGS AND TECHNICAL DOCUMENTS CONTROLLED BY:
ACRADYNE MECHANICAL ENGINEERING

**RIGHT ANGLE NUTRUNNER
 GEN IV, 1000 SERIES**

SIZE	PART / DRAWING NUMBER	REVISION
D	AEN4C12__B	B

SCALE 1:1 DO NOT SCALE DRAWING SHEET 1 OF 2

TOOL MODEL NO.	OVERALL LENGTH 'A'
AEN4C12009B	279.6mm [11.01in]
AEN4C12014B	295.9mm [11.65in]
AEN4C12018B	295.9mm [11.65in]
AEN4C12022B	295.9mm [11.65in]



DOCUMENT CONTROL
 PRINTED COPIES OF THIS DOCUMENT ARE CONSIDERED TO BE UNCONTROLLED DOCUMENTS. HOLDERS ARE RESPONSIBLE FOR VERIFYING THE CURRENT REVISION LEVEL WITH PURCHASING OR ENGINEERING PRIOR TO USE OR FABRICATION. THE CONTROLLED VERSION OF THIS DOCUMENT IS ELECTRONICALLY MAINTAINED.

PROPRIETARY AND CONFIDENTIAL
 THIS DRAWING CONTAINS INFORMATION STRICTLY CONFIDENTIAL TO ACRADYNE/AIMCO. IN THE ABSENCE OF EXPRESSED WRITTEN PERMISSION, ACRADYNE/AIMCO HAS LOANED THIS COPY WITH THE MUTUAL UNDERSTANDING THAT (A) IT WILL NOT BE USED FOR ANY PURPOSE OTHER THAN FOR THAT IN WHICH IT WAS PROVIDED, (B) THE DATA CONTAINED HEREIN WILL NOT BE DISCLOSED TO OTHERS, (C) IT WILL NOT BE REPRODUCED, AND (D) IT WILL BE RETURNED TO ACRADYNE/AIMCO IMMEDIATELY UPON DEMAND.

REVISION LEVEL	REVISION RELEASE DATE	DESCRIPTION OF CHANGES MADE TO PART	ECN #	AUTHOR/ APPROVAL

UNLESS OTHERWISE SPECIFIED, DIMENSIONS ARE IN INCHES
 DIMENSIONS AND TOLERANCING PER ANSI Y14.5
 SURFACE ROUGHNESS PER ANSI Y14.36

BLOCK TOLERANCING PER DECIMAL:
 .X = ±.030 .XX = ±.010 .XXX = ±.005 .XXXX = ±.0005
 ANGLE = ±0° 30'

REMOVE BURRS AND SHARP EDGES: R.015 MAX
 MACHINE SURFACE FINISH: 125 RMS OR BETTER

DRAWINGS AND TECHNICAL DOCUMENTS CONTROLLED BY:
ACRADYNE MECHANICAL ENGINEERING

**AEN4C12__B
 TOOL OUTLINE
 GEN IV, 1000 SERIES**

SIZE D	PART / DRAWING NUMBER AEN4C12__B	REVISION B
SCALE 1:1	DO NOT SCALE DRAWING	SHEET 2 OF 2