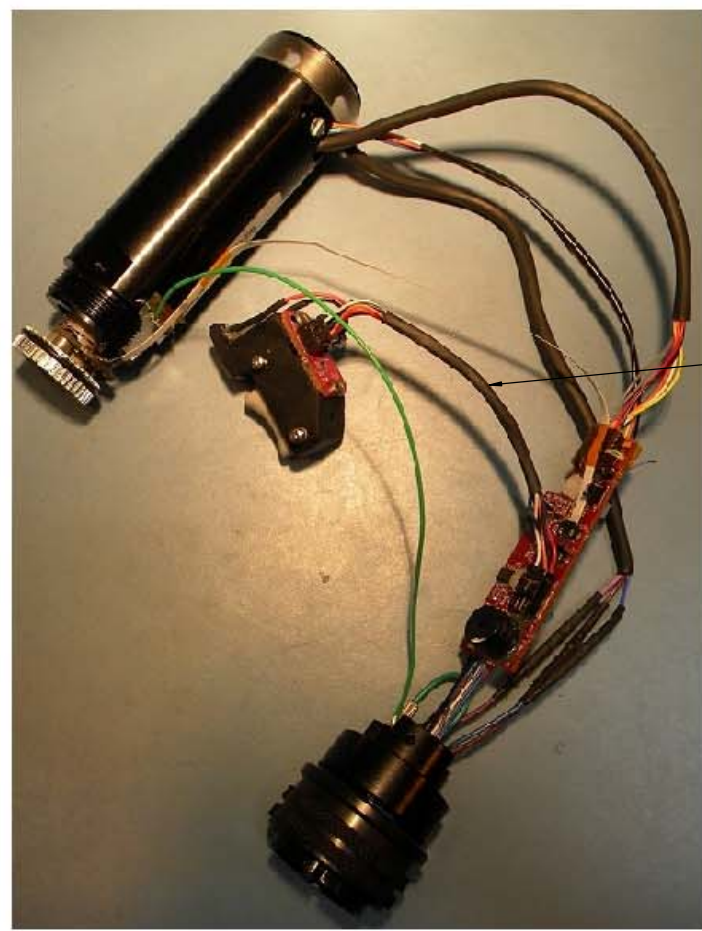


COMMENTS	ITEM NO.	PART NUMBER	QTY.	DESCRIPTION
	1	25806	1	PISTOL MOTOR ASSEMBLY
	2	26599	1	LED PCB ASSY, PISTOL
	3	27016	2	NUT, HEX, 4-40 UNDERSIZED, STEEL ZINC
	4	24780	1	MOTOR COUPLER SUB-ASM.
	5	25763	1	TRANSDUCER ADAPTOR
	6	SEE CHART	1	TRANSDUCER SUB-ASM.
	7	SEE CHART	1	GEAR CASE SUB-ASM., 12T/12T
	8	24698	1	STRAIGHT OUTPUT ASM., 3/8" SQ. DR., 2000 SERIES
	9	24687	1	O-RING, LIGHT RING, LEVER
	10	24873	1	LIGHT RING
	11	24686	1	RETAINING RING, LEVER LIGHT RING
	12	25814	2	SCREW, PAN HEAD PHILLIPS, 4-40 x 3/16, STAR WASH, SS
	13	25849	1	T.I.D. BOARD ASM., PISTOL
	14	26685	1	PISTOL HANDLE, 2000 SERIES, MODEL B
	15	24934	2	SCREW, FHC 4-40 X .312, STEEL, BLACK OXIDE
	16	26668	4	SCREW, BHSC 6-32x7/16, STEEL, BLACK OXIDE
	17	26791	4	WASHER, FLAT, NO 6 SCREW, STEEL, BLACK OXIDE
	18	25871	1	SWITCH SUB-ASSEMBLY
SEE WIRING PHOTO	19	25788	1	CABLE, TRIGGER, GEN 4 PISTOL
	20	24870	1	CONNECTOR SLEEVE, PISTOL HANDLE
	21	24697	1	REACTION BAR, STEEL, 2000 SERIES
	22	25424	1	GROUND WIRE ASM.
	23	25271	A/R	SHIM, -.002
	24	25272	A/R	SHIM, -.005
	25	25273	A/R	SHIM, -.010
	26	26602	1	TOOL CONNECTOR ASSEMBLY
	27	24935	2	SOC HD CAP SCREWS
	28	24871	1	END CAP, PISTOL MOTOR

MODEL NO.	TRANSDUCER SUB-ASM.	GEAR CASE SUB-ASM.
AEP4A22020B	25761.009	24901 (14T/14T)
AEP4A22025B	25762.001	24894 (12T/12T)
AEP4A22030B	25762.002	24902 (8T/14T)
AEP4A22035B	25762.003	24903 (8T/12T)
AEP4A22040B	25762.004	24904 (6T/14T)



REQUIRED TOOLING
SNAP-ON CROWFOOT WRENCH, 1/2" SQ. DR. X 1-3/8" OPENING SNAP-ON PART NUMBER SC044
MAGNETIC VISE JAWS - PART NUMBER 1000-100
LOCTITE #243 BLUE
TORQUE WRENCH, 1/2" DRIVE
LOCTITE #263 RED



DOCUMENT CONTROL
 PRINTED COPIES OF THIS DOCUMENT ARE CONSIDERED TO BE UNCONTROLLED DOCUMENTS. HOLDERS ARE RESPONSIBLE FOR VERIFYING THE CURRENT REVISION LEVEL WITH PURCHASING OR ENGINEERING PRIOR TO USE OR FABRICATION. THE CONTROLLED VERSION OF THIS DOCUMENT IS ELECTRONICALLY MAINTAINED.

PROPRIETARY AND CONFIDENTIAL
 THIS DRAWING CONTAINS INFORMATION STRICTLY CONFIDENTIAL TO ACRADYNE/AIMCO. IN THE ABSENCE OF EXPRESSED WRITTEN PERMISSION, ACRADYNE/AIMCO HAS LOANED THIS COPY WITH THE MUTUAL UNDERSTANDING THAT (A) IT WILL NOT BE USED FOR ANY PURPOSE OTHER THAN FOR THAT IN WHICH IT WAS PROVIDED, (B) THE DATA CONTAINED HEREIN WILL NOT BE DISCLOSED TO OTHERS, (C) IT WILL NOT BE REPRODUCED, AND (D) IT WILL BE RETURNED TO ACRADYNE/AIMCO IMMEDIATELY UPON DEMAND.

REVISION LEVEL	REVISION RELEASE DATE	DESCRIPTION OF CHANGES MADE TO PART	ECN #	AUTHOR/ APPROVAL

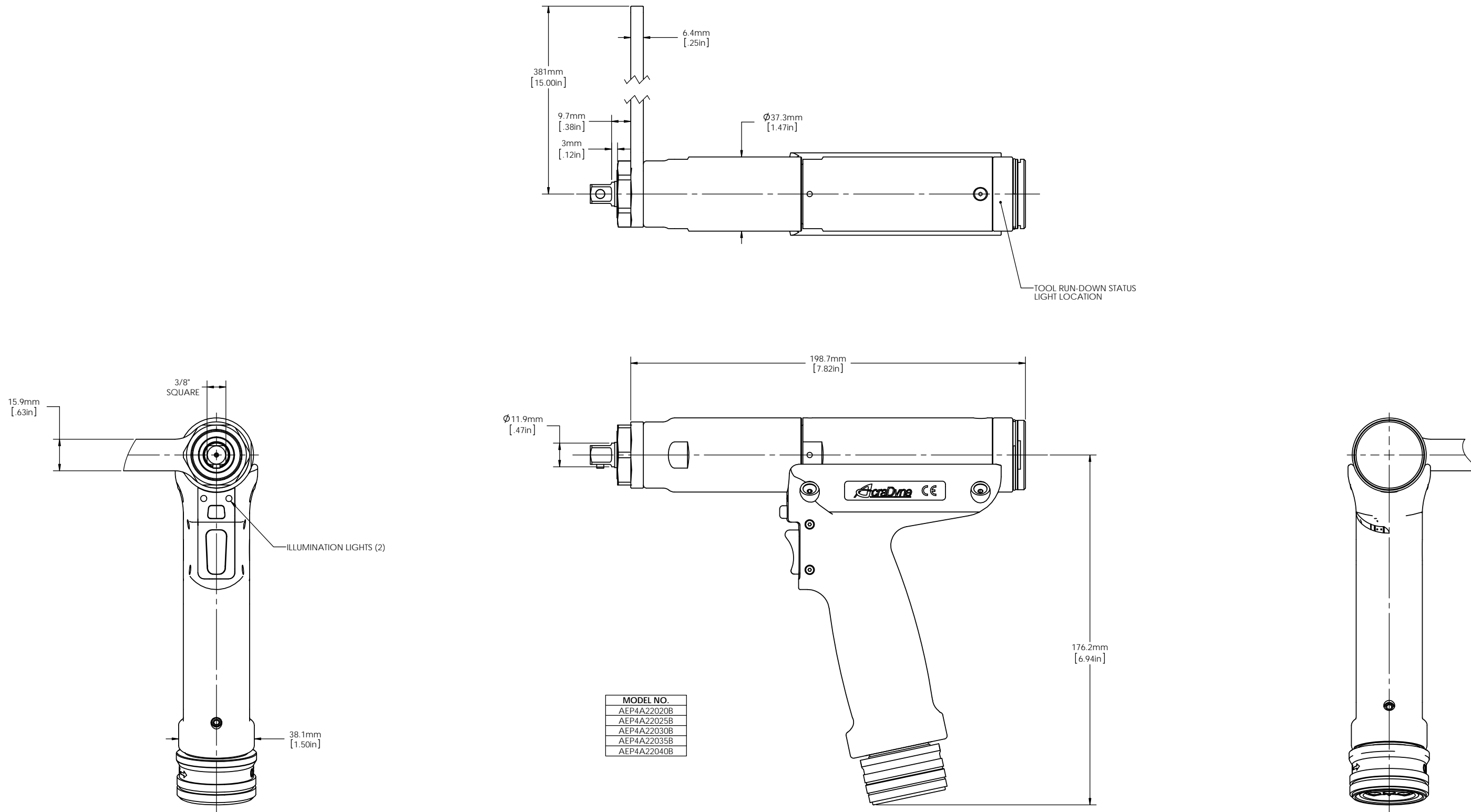
UNLESS OTHERWISE SPECIFIED, DIMENSIONS ARE IN INCHES
 DIMENSIONS AND TOLERANCING PER ANSI Y14.5
 SURFACE ROUGHNESS PER ANSI Y14.36

BLOCK TOLERANCING PER DECIMAL:
 .X = ±.030 .XX = ±.010 .XXX = ±.005 .XXXX = ±.0005
 ANGLE = 50° 30'

REMOVE BURRS AND SHARP EDGES: R.015 MAX
 MACHINE SURFACE FINISH: 125 RMS OR BETTER

DRAWINGS AND TECHNICAL DOCUMENTS CONTROLLED BY:
ACRADYNE MECHANICAL ENGINEERING

AEP4A22 ___ B PISTOL NUTRUNNER GEN IV, 2000 SERIES		
SIZE D	PART / DRAWING NUMBER AEP4A22 ___ B	REVISION F
SCALE 1:1	DO NOT SCALE DRAWING	SHEET 1 OF 2



MODEL NO.
AEP4A22020B
AEP4A22025B
AEP4A22030B
AEP4A22035B
AEP4A22040B

10000 SE PINE STREET
 PORTLAND, OREGON 97216
 503.254.6600

DOCUMENT CONTROL
 PRINTED COPIES OF THIS DOCUMENT ARE CONSIDERED TO BE UNCONTROLLED DOCUMENTS. HOLDERS ARE RESPONSIBLE FOR VERIFYING THE CURRENT REVISION LEVEL WITH PURCHASING OR ENGINEERING PRIOR TO USE OR FABRICATION. THE CONTROLLED VERSION OF THIS DOCUMENT IS ELECTRONICALLY MAINTAINED.

PROPRIETARY AND CONFIDENTIAL
 THIS DRAWING CONTAINS INFORMATION STRICTLY CONFIDENTIAL TO ACRADYNE/AIMCO. IN THE ABSENCE OF EXPRESSED WRITTEN PERMISSION, ACRADYNE/AIMCO HAS LOANED THIS COPY WITH THE MUTUAL UNDERSTANDING THAT (A) IT WILL NOT BE USED FOR ANY PURPOSE OTHER THAN FOR THAT IN WHICH IT WAS PROVIDED, (B) THE DATA CONTAINED HEREIN WILL NOT BE DISCLOSED TO OTHERS, (C) IT WILL NOT BE REPRODUCED, AND (D) IT WILL BE RETURNED TO ACRADYNE/AIMCO IMMEDIATELY UPON DEMAND.

REVISION LEVEL	REVISION RELEASE DATE	DESCRIPTION OF CHANGES MADE TO PART	ECN #	AUTHOR/ APPROVAL

UNLESS OTHERWISE SPECIFIED, DIMENSIONS ARE IN INCHES
 DIMENSIONS AND TOLERANCING PER ANSI Y14.5
 SURFACE ROUGHNESS PER ANSI Y14.36

BLOCK TOLERANCING PER DECIMAL:
 .X = ±.030 .XX = ±.010 .XXX = ±.005 .XXXX = ±.0005
 ANGLE = ±0° 30'

REMOVE BURRS AND SHARP EDGES: R.015 MAX
 MACHINE SURFACE FINISH: 125 RMS OR BETTER

DRAWINGS AND TECHNICAL DOCUMENTS CONTROLLED BY:
ACRADYNE MECHANICAL ENGINEERING

AEP4A22 ___ B PISTAL NUTRUNNER GEN IV, 2000 SERIES		
SIZE	PART / DRAWING NUMBER	REVISION
D	AEP4A22 ___ B	F
SCALE 1:1	DO NOT SCALE DRAWING	SHEET 2 OF 2