

SINGLE STEP MODELS

COMMENTS	ITEM NO.	PART NUMBER	QTY.	DESCRIPTION
	1	26218	1	PISTOL MOTOR ASM.
	2	26599	1	LED PCB ASSY, PISTOL
	3	27016	2	NUT, HEX, 4-40 UNDERSIZED, STEEL ZINC
	4	24780	1	MOTOR COUPLER SUB-ASM.
	5	25763	1	TRANSDUCER ADAPTOR
	6	SEE CHART	1	TRANSDUCER SUB-ASM.
	7	SEE CHART	1	GEAR CASE SUB-ASM.
	8	25734	1	EXT. STRAIGHT OUTPUT ASM., 3/8" SQ. DR.
	9	24873	1	LIGHT RING
	10	24687	1	O-RING, LIGHT RING, LEVER
	11	24686	1	RETAINING RING, LEVER LIGHT RING
	12	24731	1	O-RING, RING GEAR
	13	25849	1	TID BOARD ASM., PISTOL, 1000/2000-SERIES
	14	26667	1	PISTOL HANDLE, 1000 SERIES
	15	24934	2	SCREW, FHC 4-40 X .312, STEEL, BLACK OXIDE
	16	25814	1	SCREW, PAN HEAD PHILLIPS, 4-40 X 3/16, STAR WASH, SS
	17	25871	1	SWITCH SUB-ASSEMBLY
NOT SHOWN	18	25788	1	CABLE, TRIGGER, GEN 4 PISTOL
	19	SEE CHART	1	REACTION BAR, 1000 SERIES
	20	30771	2	SCREW, FHSC 4-40 X 3/16, STEEL, TORX HEAD
	21	25798	1	PLUG, PISTOL HANDLE
	22	24909	1	STRAIGHT ADAPTOR, PISTOL TOOL CONNECTOR
	23	25273	1	SHIM, - .010
	24	25272	1	SHIM, - .005
	25	25271	1	SHIM, - .002
	26	26792	4	SCREW, BHSC 6-32X.50, STEEL, BLACK OXIDE
	27	26791	4	WASHER, FLAT, NO 6 SCREW, STEEL, BLACK OXIDE
	28	26141	1	TOOL CONNECTOR ASM., FIXTURED TOOLS
	29	SEE CHART	1	SPLINE COVER, PISTOL
	30	010-790-1	1	SUSPENSION BAIL, PISTOL TOOLS

	MODEL NO.	TRANSDUCER ASM.	GEAR CASE ASM.	SPLINE COVER	REACTION BAR
SINGLE STEP MODELS	AEP4R12003BV	25759.001	24860	24759	N/A
	AEP4R12006BV	25760.002	24860	24759	N/A
	AEP4R12011BV	25761.003	24709	N/A	24696
DOUBLE STEP MODELS	AEP4R12014BV	25761.005	24792	N/A	24697
	AEP4R12018BV	25761.008	24710	N/A	24697
	AEP4R12022BV	25761.010	24781	N/A	24697

◆ ASSEMBLY INSTRUCTIONS
 ◊ SUB-ASSEMBLY

- GEARS & SPLINES: LUBRICATE WITH DOW CORNING MOLYKOTE BR2 PLUS GREASE.
- BEARINGS: LUBRICATE WITH CHEVRON SR1 GREASE
- O-RINGS: LUBRICATE WITH O-RING LUBE
- TIGHTEN TO 1.0 Nm (9 IN-LBS) LOCTITE 222 (PURPLE)



DOCUMENT CONTROL
 PRINTED COPIES OF THIS DOCUMENT ARE CONSIDERED TO BE UNCONTROLLED DOCUMENTS. HOLDERS ARE RESPONSIBLE FOR VERIFYING THE CURRENT REVISION LEVEL WITH PURCHASING OR ENGINEERING PRIOR TO USE OR FABRICATION. THE CONTROLLED VERSION OF THIS DOCUMENT IS ELECTRONICALLY MAINTAINED.

PROPRIETARY AND CONFIDENTIAL
 THIS DRAWING CONTAINS INFORMATION STRICTLY CONFIDENTIAL TO ACRADYNE/AIMCO. IN THE ABSENCE OF EXPRESSED WRITTEN PERMISSION, ACRADYNE/AIMCO HAS LOANED THIS COPY WITH THE MUTUAL UNDERSTANDING THAT (A) IT WILL NOT BE USED FOR ANY PURPOSE OTHER THAN FOR THAT IN WHICH IT WAS PROVIDED, (B) THE DATA CONTAINED HEREIN WILL NOT BE DISCLOSED TO OTHERS, (C) IT WILL NOT BE REPRODUCED, AND (D) IT WILL BE RETURNED TO ACRADYNE/AIMCO IMMEDIATELY UPON DEMAND.

REVISION LEVEL	REVISION RELEASE DATE	DESCRIPTION OF CHANGES MADE TO PART	ECN #	AUTHOR/ APPROVAL

UNLESS OTHERWISE SPECIFIED, DIMENSIONS ARE IN INCHES
 DIMENSIONS AND TOLERANCING PER ANSI Y14.5 SURFACE ROUGHNESS PER ANSI Y14.36

BLOCK TOLERANCING PER DECIMAL:
 .X = ±.030 .XX = ±.010 .XXX = ±.005 .XXXX = ±.0005 ANGLE = ±0°30'

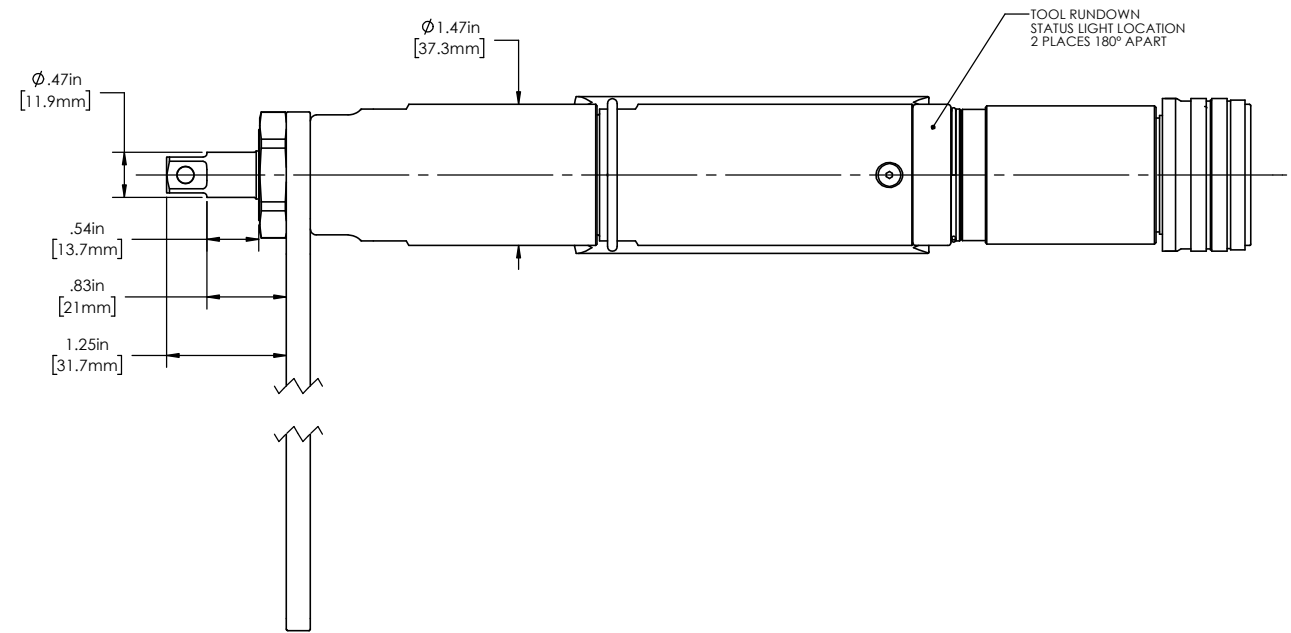
REMOVE BURRS AND SHARP EDGES: R.015 MAX MACHINE SURFACE FINISH: 125 RMS OR BETTER

DRAWINGS AND TECHNICAL DOCUMENTS CONTROLLED BY:
ACRADYNE MECHANICAL ENGINEERING

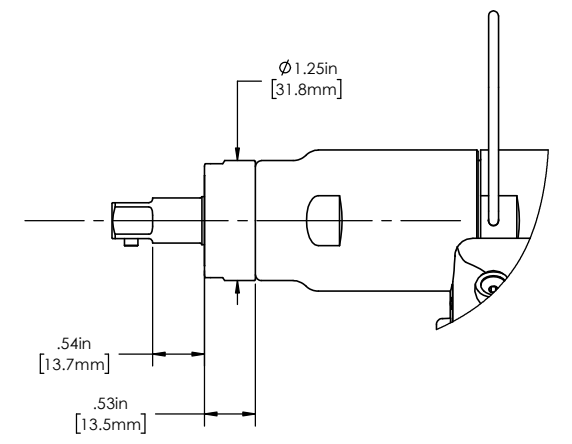
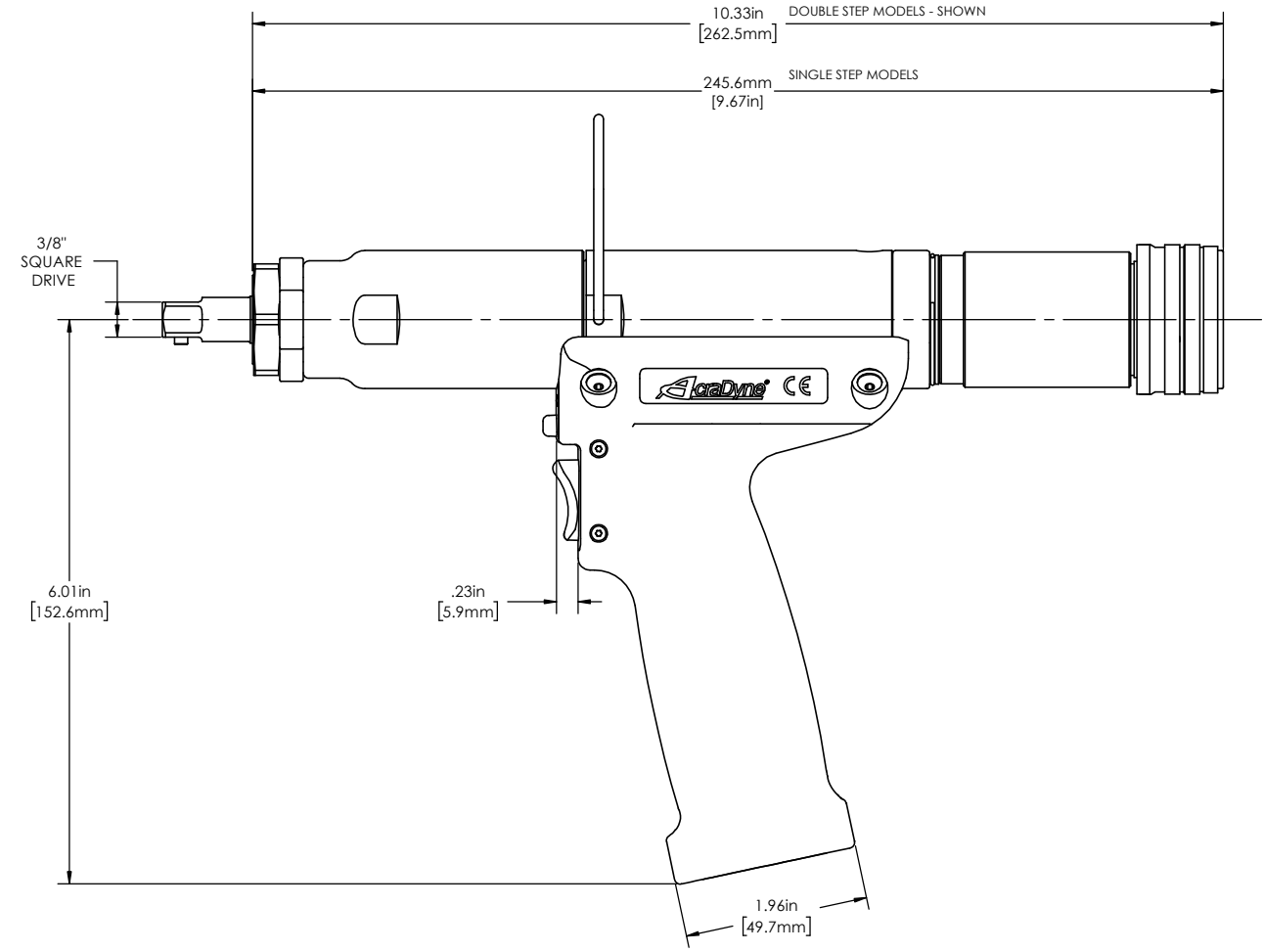
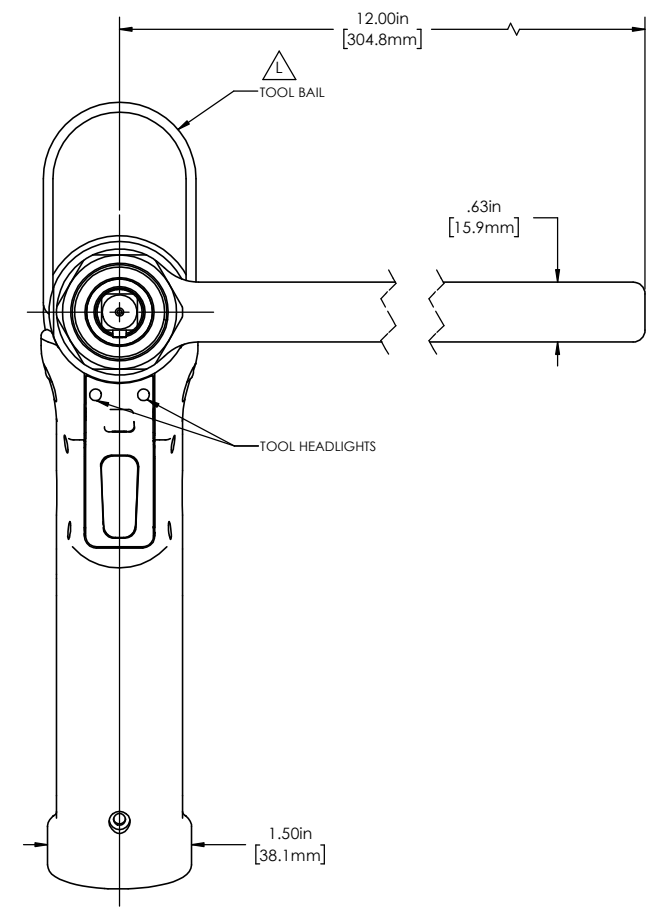
PISTOL NUTRUNNER REAR EXIT GEN IV, 1000 - SERIES

SIZE	PART / DRAWING NUMBER	REVISION
D	AEP4R120 BV	L

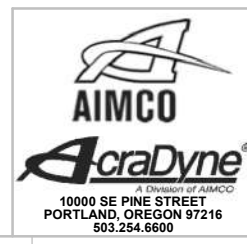
SCALE: 1:2 DO NOT SCALE DRAWING SHEET 1 OF 2



	MODEL NO.
SINGLE STEP MODELS	AEP4R12003BV
	AEP4R12006BV
DOUBLE STEP MODELS	AEP4R12011BV
	AEP4R12014BV
	AEP4R12018BV
	AEP4R12022BV



SINGLE STEP MODELS - W/SPLINE COVER



DOCUMENT CONTROL
 PRINTED COPIES OF THIS DOCUMENT ARE CONSIDERED TO BE UNCONTROLLED DOCUMENTS. HOLDERS ARE RESPONSIBLE FOR VERIFYING THE CURRENT REVISION LEVEL WITH PURCHASING OR ENGINEERING PRIOR TO USE OR FABRICATION. THE CONTROLLED VERSION OF THIS DOCUMENT IS ELECTRONICALLY MAINTAINED.

PROPRIETARY AND CONFIDENTIAL
 THIS DRAWING CONTAINS INFORMATION STRICTLY CONFIDENTIAL TO ACRADYNE/AIMCO. IN THE ABSENCE OF EXPRESSED WRITTEN PERMISSION, ACRADYNE/AIMCO HAS LOANED THIS COPY WITH THE MUTUAL UNDERSTANDING THAT (A) IT WILL NOT BE USED FOR ANY PURPOSE OTHER THAN FOR THAT IN WHICH IT WAS PROVIDED, (B) THE DATA CONTAINED HEREIN WILL NOT BE DISCLOSED TO OTHERS, (C) IT WILL NOT BE REPRODUCED, AND (D) IT WILL BE RETURNED TO ACRADYNE/AIMCO IMMEDIATELY UPON DEMAND.

REVISION LEVEL	REVISION RELEASE DATE	DESCRIPTION OF CHANGES MADE TO PART	ECN #	AUTHOR/ APPROVAL

UNLESS OTHERWISE SPECIFIED, DIMENSIONS ARE IN INCHES
 DIMENSIONS AND TOLERANCING PER ANSI Y14.5 SURFACE ROUGHNESS PER ANSI Y14.36

BLOCK TOLERANCING PER DECIMAL:
 .X = ±.030 .XX = ±.010 .XXX = ±.005 .XXXX = ±.0005
 ANGLE = ±0° 30'

REMOVE BURRS AND SHARP EDGES: R.015 MAX MACHINE SURFACE FINISH: 125 RMS OR BETTER

DRAWINGS AND TECHNICAL DOCUMENTS CONTROLLED BY:
ACRADYNE MECHANICAL ENGINEERING

PISTOL NUTRUNNER REAR EXIT GEN IV, 1000 SERIES		
SIZE D	PART / DRAWING NUMBER AEP4R120 BV	REVISION L
SCALE 1:2	DO NOT SCALE DRAWING	SHEET 2 OF 2