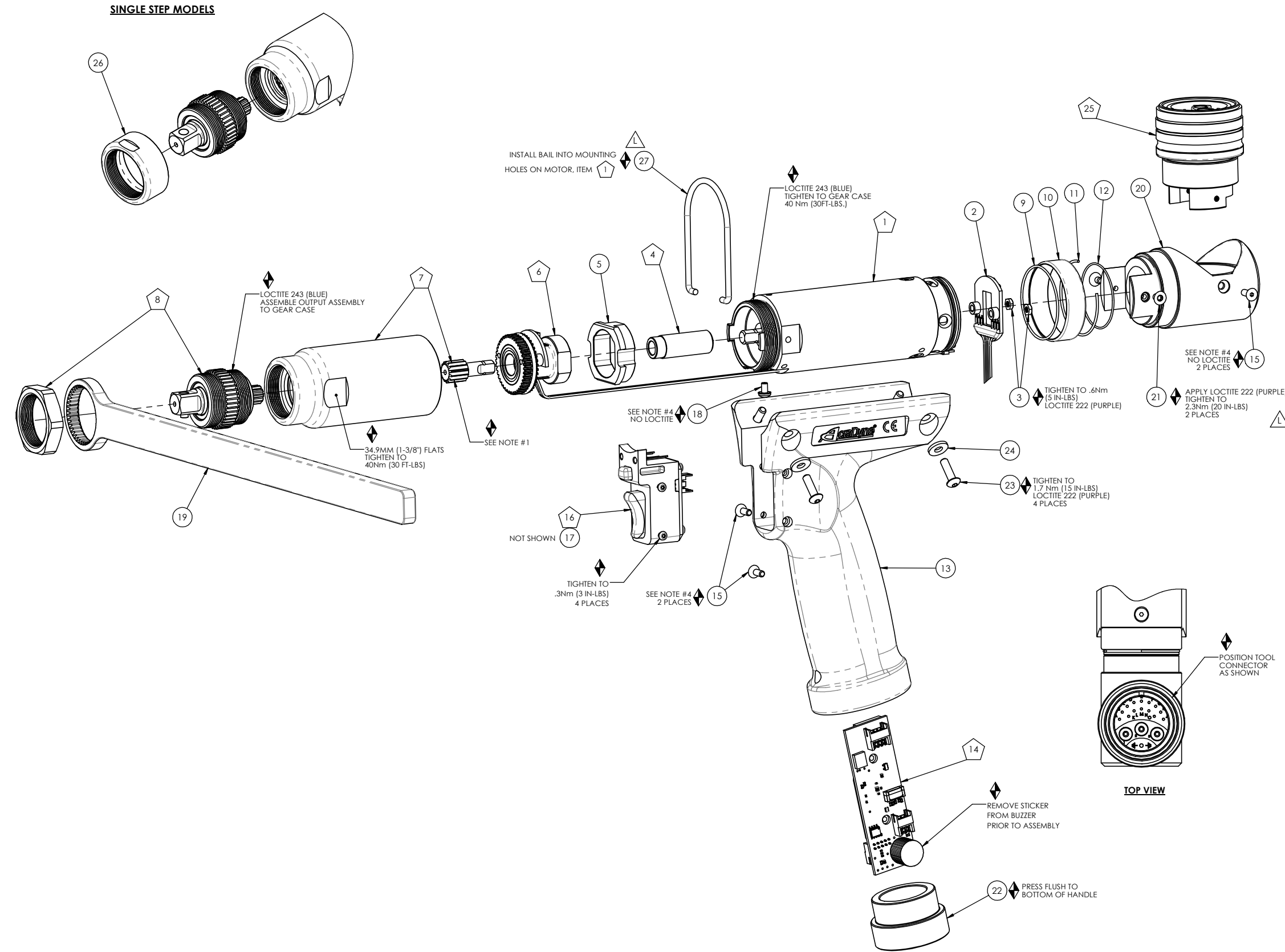
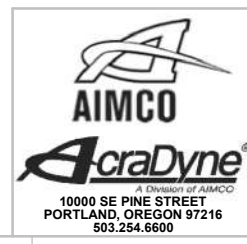


COMMENTS	ITEM NO.	PART NUMBER	QTY	DESCRIPTION
	1	26218	1	PISTOL MOTOR ASM.
	2	26599	1	LED PCB ASSY, PISTOL
	3	27016	2	NUT, HEX, 4-40 UNDERSIZED, STEEL ZINC
	4	24780	1	MOTOR COUPLER SUB-ASM.
	5	25763	1	TRANSDUCER ADAPTOR
	6	SEE CHART	1	TRANSDUCER SUB-ASM.
	7	SEE CHART	1	GEAR CASE SUB-ASM.
	8	24699	1	STRAIGHT OUTPUT ASM., 3/8" SQ. DR.
	9	24687	1	O-RING, LIGHT RING, LEVER
	10	24873	1	LIGHT RING
	11	24686	1	RETAINING RING, LEVER LIGHT RING
	12	24731	1	O-RING, RING GEAR
	13	26667	1	PISTOL HANDLE, 1000 SERIES
	14	25849	1	TID BOARD ASM., PISTOL, 1000/2000-SERIES
	15	24934	4	SCREW, FHC 4-40 X .312, STEEL, BLACK OXIDE
	16	25871	1	SWITCH SUB-ASSEMBLY
NOT SHOWN	17	25788	1	CABLE, TRIGGER, GEN 4 PISTOL
	18	25814	1	SCREW, PAN HEAD PHILLIPS, 4-40 X 3/16, STAR WASH, SS
	19	SEE CHART	1	REACTION BAR, 1000 SERIES
	20	24910	1	RIGHT ANGLE ADAPTOR, TOOL CONN.
	21	30771	2	SCREW, FHSC 4-40 X 3/16, STEEL, TORX HEAD
	22	25798	1	PLUG, PISTOL HANDLE
	23	26792	4	SCREW, BHSC 6-32X.50, STEEL, BLACK OXIDE
	24	26791	4	WASHER, FLAT, NO 6 SCREW, STEEL, BLACK OXIDE
	25	25889	1	TOOL CONNECTOR ASM., TOP EXIT PISTOL
	26	SEE CHART	1	SPLINE COVER, PISTOL
	27	010-790-1	1	SUSPENSION BAIL, PISTOL TOOLS

	MODEL NO.	TRANSDUCER ASM.	GEAR CASE ASM.	SPLINE COVER	REACTION BAR
SINGLE STEP MODELS	AEP4T12003B	25759.001	24860	24759	N/A
	AEP4T12006B	25760.002	24860	24759	N/A
DOUBLE STEP MODELS	AEP4T12011B	25761.003	24709	N/A	24696
	AEP4T12014B	25761.005	24792	N/A	24697
	AEP4T12018B	25761.008	24710	N/A	24697
	AEP4T12022B	25761.010	24781	N/A	24697



- ◆ ASSEMBLY INSTRUCTIONS
- ◊ SUB-ASSEMBLY
- 1) GEARS & SPLINES: LUBRICATE WITH DOW CORNING MOLYKOTE BR2 PLUS GREASE.
- 2) BEARINGS: LUBRICATE WITH CHEVRON SR1 GREASE
- 3) O-RINGS: LUBRICATE WITH O-RING LUBE
- 4) TIGHTEN TO 1.0 Nm (9 IN-LBS) LOCTITE 222 (PURPLE)



DOCUMENT CONTROL
 PRINTED COPIES OF THIS DOCUMENT ARE CONSIDERED TO BE UNCONTROLLED DOCUMENTS. HOLDERS ARE RESPONSIBLE FOR VERIFYING THE CURRENT REVISION LEVEL WITH PURCHASING OR ENGINEERING PRIOR TO USE OR FABRICATION. THE CONTROLLED VERSION OF THIS DOCUMENT IS ELECTRONICALLY MAINTAINED.

PROPRIETARY AND CONFIDENTIAL
 THIS DRAWING CONTAINS INFORMATION STRICTLY CONFIDENTIAL TO ACRADYNE/AIMCO. IN THE ABSENCE OF EXPRESSED WRITTEN PERMISSION, ACRADYNE/AIMCO HAS LOANED THIS COPY WITH THE MUTUAL UNDERSTANDING THAT (A) IT WILL NOT BE USED FOR ANY PURPOSE OTHER THAN FOR THAT IN WHICH IT WAS PROVIDED, (B) THE DATA CONTAINED HEREIN WILL NOT BE DISCLOSED TO OTHERS, (C) IT WILL NOT BE REPRODUCED, AND (D) IT WILL BE RETURNED TO ACRADYNE/AIMCO IMMEDIATELY UPON DEMAND.

REVISION LEVEL	REVISION RELEASE DATE	DESCRIPTION OF CHANGES MADE TO PART	ECN #	AUTHOR/ APPROVAL

UNLESS OTHERWISE SPECIFIED, DIMENSIONS ARE IN INCHES
 DIMENSIONS AND TOLERANCING PER ANSI Y14.5 SURFACE ROUGHNESS PER ANSI Y14.36

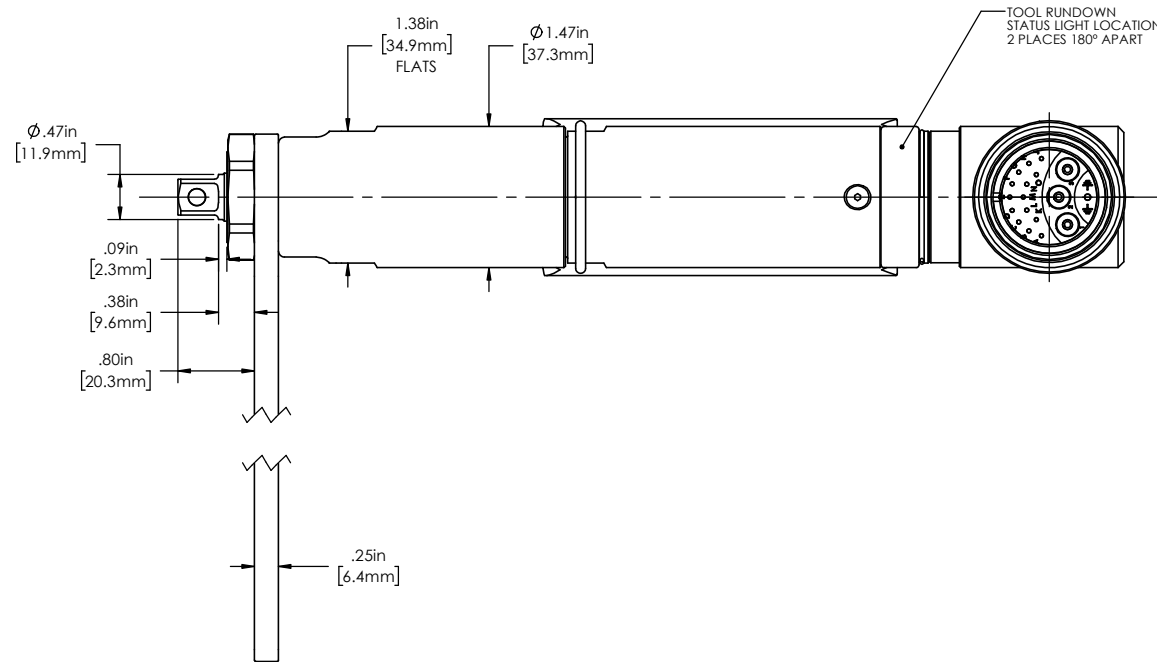
BLOCK TOLERANCING PER DECIMAL:
 .X = ±.030 .XX = ±.010 .XXX = ±.005 .XXXX = ±.0005
 ANGLE = ±0° 30'

REMOVE BURRS AND SHARP EDGES: R.015 MAX MACHINE SURFACE FINISH: 125 RMS OR BETTER

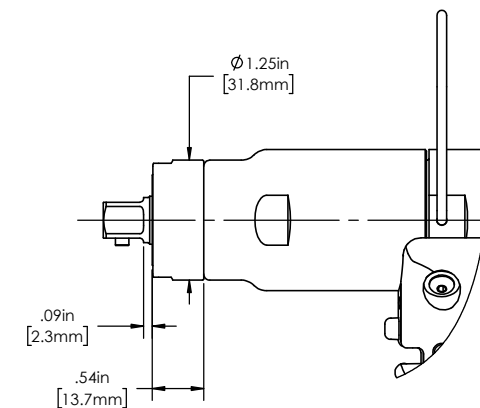
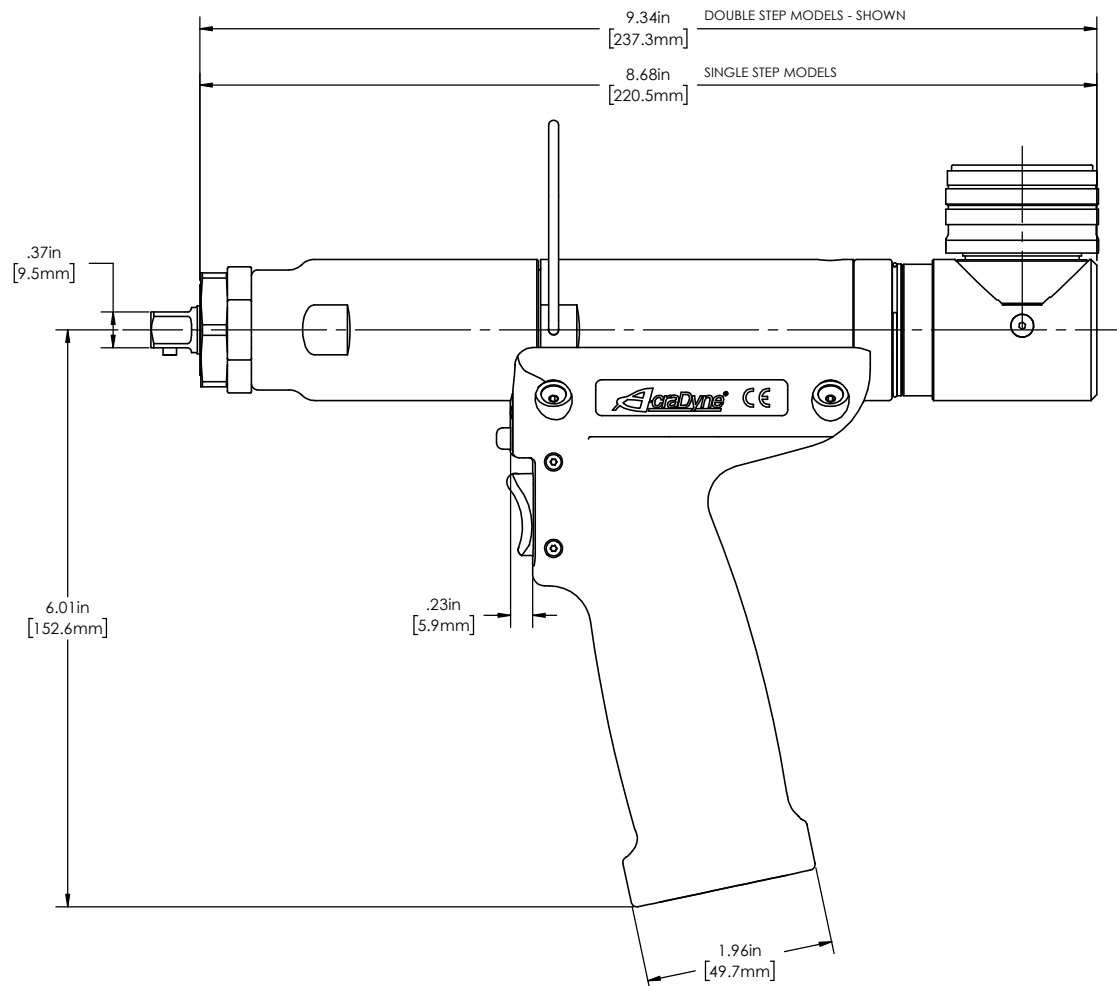
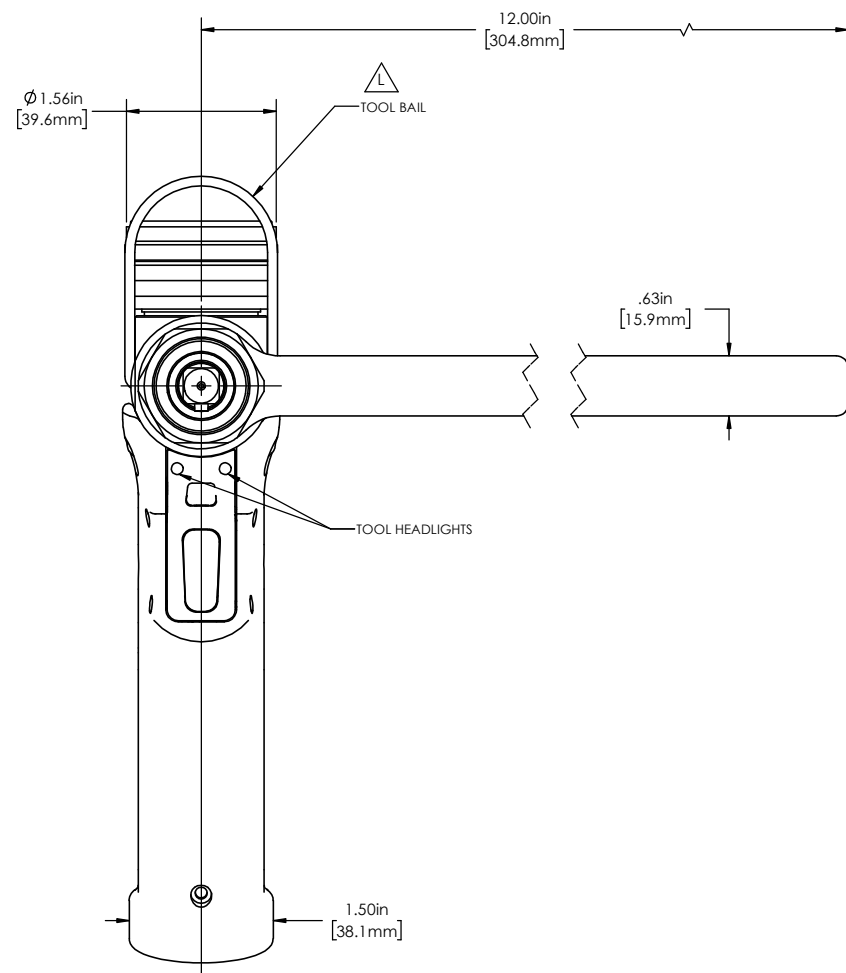
DRAWINGS AND TECHNICAL DOCUMENTS CONTROLLED BY:
ACRADYNE MECHANICAL ENGINEERING

**PISTOL NUTRUNNER
 TOP EXIT
 GEN IV, 1000-SERIES**

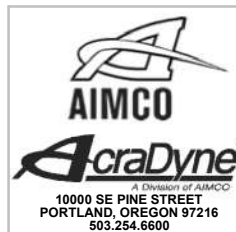
SIZE D	PART / DRAWING NUMBER AEP4T120 B	REVISION L
SCALE 1:2	DO NOT SCALE DRAWING	SHEET 1 OF 2



MODEL NO.	
SINGLE STEP MODELS	AEP4T1 2003B
	AEP4T1 2006B
DOUBLE STEP MODELS	AEP4T1 2011B
	AEP4T1 2014B
	AEP4T1 2018B
	AEP4T1 2022B



SINGLE STEP MODELS - W/SPLINE COVER



DOCUMENT CONTROL
 PRINTED COPIES OF THIS DOCUMENT ARE CONSIDERED TO BE UNCONTROLLED DOCUMENTS. HOLDERS ARE RESPONSIBLE FOR VERIFYING THE CURRENT REVISION LEVEL WITH PURCHASING OR ENGINEERING PRIOR TO USE OR FABRICATION. THE CONTROLLED VERSION OF THIS DOCUMENT IS ELECTRONICALLY MAINTAINED.

PROPRIETARY AND CONFIDENTIAL
 THIS DRAWING CONTAINS INFORMATION STRICTLY CONFIDENTIAL TO ACRADYNE/AIMCO. IN THE ABSENCE OF EXPRESSED WRITTEN PERMISSION, ACRADYNE/AIMCO HAS LOANED THIS COPY WITH THE MUTUAL UNDERSTANDING THAT (A) IT WILL NOT BE USED FOR ANY PURPOSE OTHER THAN FOR THAT IN WHICH IT WAS PROVIDED, (B) THE DATA CONTAINED HEREIN WILL NOT BE DISCLOSED TO OTHERS, (C) IT WILL NOT BE REPRODUCED, AND (D) IT WILL BE RETURNED TO ACRADYNE/AIMCO IMMEDIATELY UPON DEMAND.

REVISION LEVEL	REVISION RELEASE DATE	DESCRIPTION OF CHANGES MADE TO PART	ECN #	AUTHOR/ APPROVAL

UNLESS OTHERWISE SPECIFIED, DIMENSIONS ARE IN INCHES
 DIMENSIONS AND TOLERANCING PER ANSI Y14.5 SURFACE ROUGHNESS PER ANSI Y14.36

BLOCK TOLERANCING PER DECIMAL:
 .X = ±.030 .XX = ±.010 .XXX = ±.005 .XXXX = ±.0005
 ANGLE = ±0° 30'

REMOVE BURRS AND SHARP EDGES: R.015 MAX MACHINE SURFACE FINISH: 125 RMS OR BETTER

DRAWINGS AND TECHNICAL DOCUMENTS CONTROLLED BY:
ACRADYNE MECHANICAL ENGINEERING

PISTOL NUTRUNNER TOP EXIT GEN IV, 1000-SERIES		
SIZE	PART / DRAWING NUMBER	REVISION
D	AEP4T120_B	L
SCALE 1:2	DO NOT SCALE DRAWING	SHEET 2 OF 2