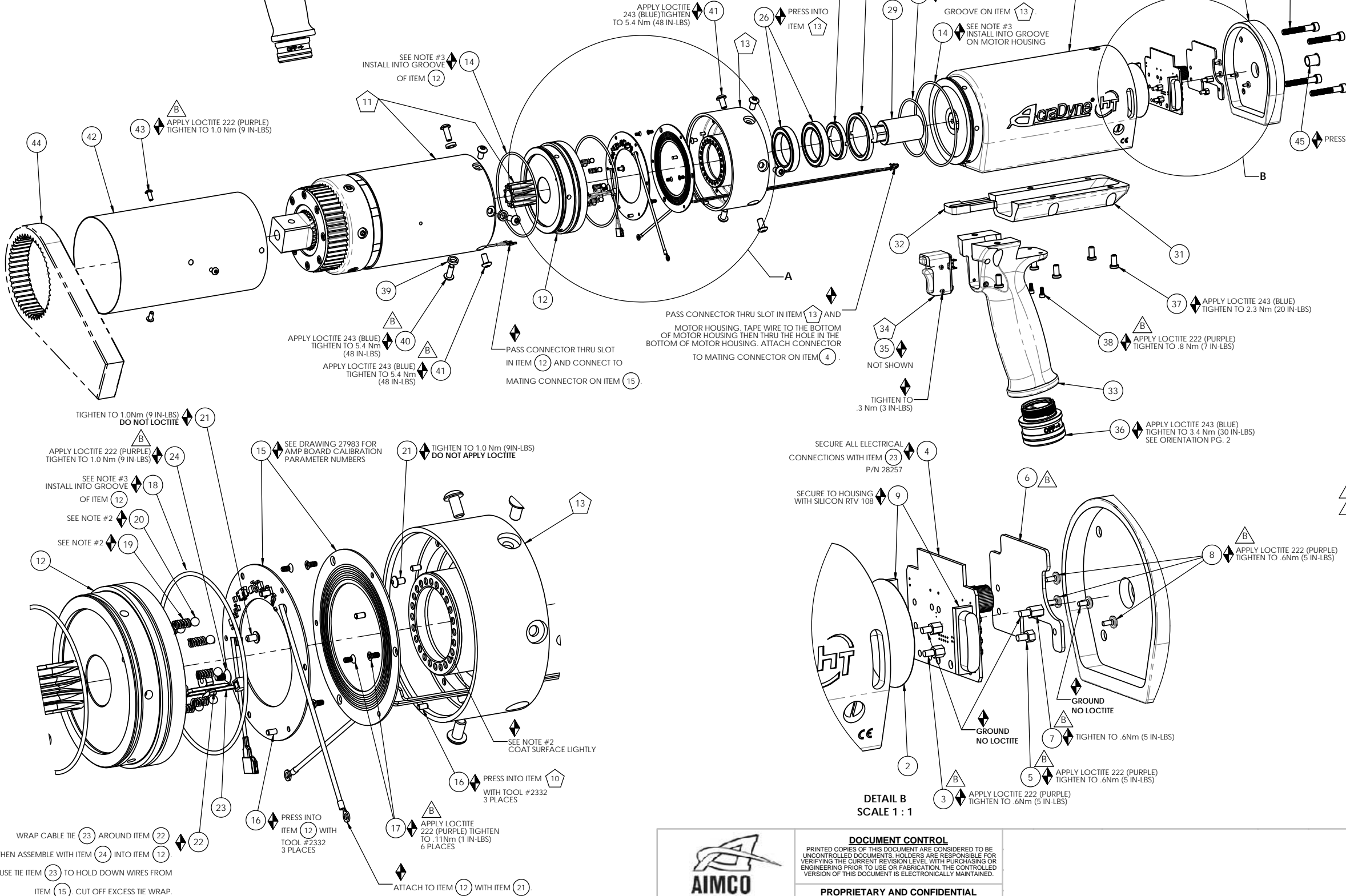


- ◆ ASSEMBLY INSTRUCTIONS
- ◇ SUB-ASSEMBLY
- GEARS & SPLINES: LUBRICATE WITH DOW CORNING MOLYKOTE BR2 PLUS GREASE.
 - BEARINGS: LUBRICATE WITH CHEVRON SR1 GREASE
 - O-RINGS: LUBRICATE WITH O-RING LUBE



DETAIL A SCALE 1 : 1

DETAIL B SCALE 1 : 1

COMMENTS	ITEM NO.	PART NUMBER	QTY.	DESCRIPTION
	1	SEE CHART	1	MOTOR ASM., 8000-SERIES
	2	24840	1	FOIL SEAL 2" DIA
	3	29335	4	STANDOFF, M-F, 4-40 X 3/16, SS
	4	27797	1	TID BOARD, POPULATED W/O AMP CIRCUIT
	5	29337	3	STANDOFF, M-F, 4-40 X 1/8, SS
	6	29338	1	TID WIRE INSULATOR
	7	25574	1	STANDOFF M-F, 4-40x1/4, 3/16 HEX, SS
	8	25573	4	SCREW PHP 4-40 X 3/16 18-8 SS
	9	25490	2	LENS, LED
	10	25230	1	END CAP
	11	SEE CHART	1	GEAR BOX ASM.
	12	27978	1	SLIP RING INNER PLATE
	13	28278	1	SLIP RING OUTER PLATE SUB-ASM.
	14	27714	2	O-RING 3" ID
SEE WORK INSTRUCTIONS	15	27983	1	SLIP RING SET
	16	27994	6	DOWEL PIN, Ø.0938 X .1875 LG., STEEL
	17	27993	6	SCREW, FHPM, 2-56, 18-8SS, PLAIN
	18	27953	1	O-RING, 70 DURO BUNA N, -.042
	19	28174	8	SPRING, COMPRESSION
	20	20105	8	DETENT BALL
	21	25745	2	SCREW, BHSC 4-40 STEEL, BLACK OXIDE
	22	28000	1	CABLE TIE-MOUNT
	23	28257	4	CABLE TIE, 1.65MM W X 71MM LG
	24	24940	1	SCREW, FHSC 4-40 X .25 LG., STEEL, BLACK OXIDE
	25	25568	4	SHC 10-32 x 1.25 BLK OXIDE
	26	25969	2	BEARING, BALL, Ø42mm X Ø30mm X 7mm
	27	25961	1	BEARING RETAINER, INNER
	28	25962	1	BEARING RETAINER, OUTER
	29	27980	1	SLIP RING PINION ADAPTER
	30	26080	1	O-RING, LED LIGHT RING COVER
	31	25233	1	TRAY, WIRE, HT TOOLS PISTOL
	32	27999	1	SLIP RING TRANSDUCER CABLE CHASE
	33	25234	1	HANDLE, HT TOOLS PISTOL
	34	25212	1	SWITCH SUB-ASSEMBLY
NOT SHOWN	35	25582	1	TRIGGER CABLE
	36	25505	1	TOOL CONNECTOR ASM HERC PISTOL
	37	25569	6	SCREW LHCS 10-32 X 3/8 18-8 SS
	38	25570	2	SCREW SHCS 4-40 X 1/4 18-8 SS
	39	25564	3	WASHER SHIM .093THK .25ID .375OD
	40	29284	3	SCREW, BHSC, TORX, 10-32 X 1/2, STEEL
	41	29279	9	SCREW, BHSC, TORX, 10-32 x 3/8, STEEL
	42	28203	1	HT TOOL TRANSDUCER SLEEVE
	43	25218	3	SCREW, BHSC, 6-32 X 5/16, SS
	44	26898	1	CHOOSE REACTION BAR
	45	25579	1	PLUG 3/8"

◆ NOTE: SEE WORK INSTRUCTION DOCUMENT "EWI-011" FOR COMPLETE ASSEMBLY INSTRUCTIONS.

MODEL NO.	MOTOR ASM.	GEARBOX ASM.	SLIP RING SET
AEP4B884200B		28112	27983.002
AEP4B884200B1	25224	28113	27983.002
AEP4W884650B		28112	27983.003
AEP4W884650B1	26160	28113	27983.003
AEP4B885000B		28112	27983.004
AEP4B885000B1		28113	27983.004



DOCUMENT CONTROL
PRINTED COPIES OF THIS DOCUMENT ARE CONSIDERED TO BE UNCONTROLLED DOCUMENTS. HOLDERS ARE RESPONSIBLE FOR VERIFYING THE CURRENT REVISION LEVEL WITH PURCHASING OR ENGINEERING PRIOR TO USE OR FABRICATION. THE CONTROLLED VERSION OF THIS DOCUMENT IS ELECTRONICALLY MAINTAINED.

PROPRIETARY AND CONFIDENTIAL
THIS DRAWING CONTAINS INFORMATION STRICTLY CONFIDENTIAL TO ACRADYNE/AIMCO. IN THE ABSENCE OF EXPRESSED WRITTEN PERMISSION, ACRADYNE/AIMCO HAS LOANED THIS COPY WITH THE MUTUAL UNDERSTANDING THAT (A) IT WILL NOT BE USED FOR ANY PURPOSE OTHER THAN FOR THAT IN WHICH IT WAS PROVIDED, (B) THE DATA CONTAINED HEREIN WILL NOT BE DISCLOSED TO OTHERS, (C) IT WILL NOT BE REPRODUCED, AND (D) IT WILL BE RETURNED TO ACRADYNE/AIMCO IMMEDIATELY UPON DEMAND.

UNLESS OTHERWISE SPECIFIED, DIMENSIONS ARE IN INCHES
DIMENSIONS AND TOLERANCING PER ANSI Y14.5 SURFACE ROUGHNESS PER ANSI Y14.36

BLOCK TOLERANCING PER DECIMAL:
.X = ±.030 .XX = ±.010 .XXX = ±.005 .XXXX = ±.0005 ANGLE = ±0° 30'

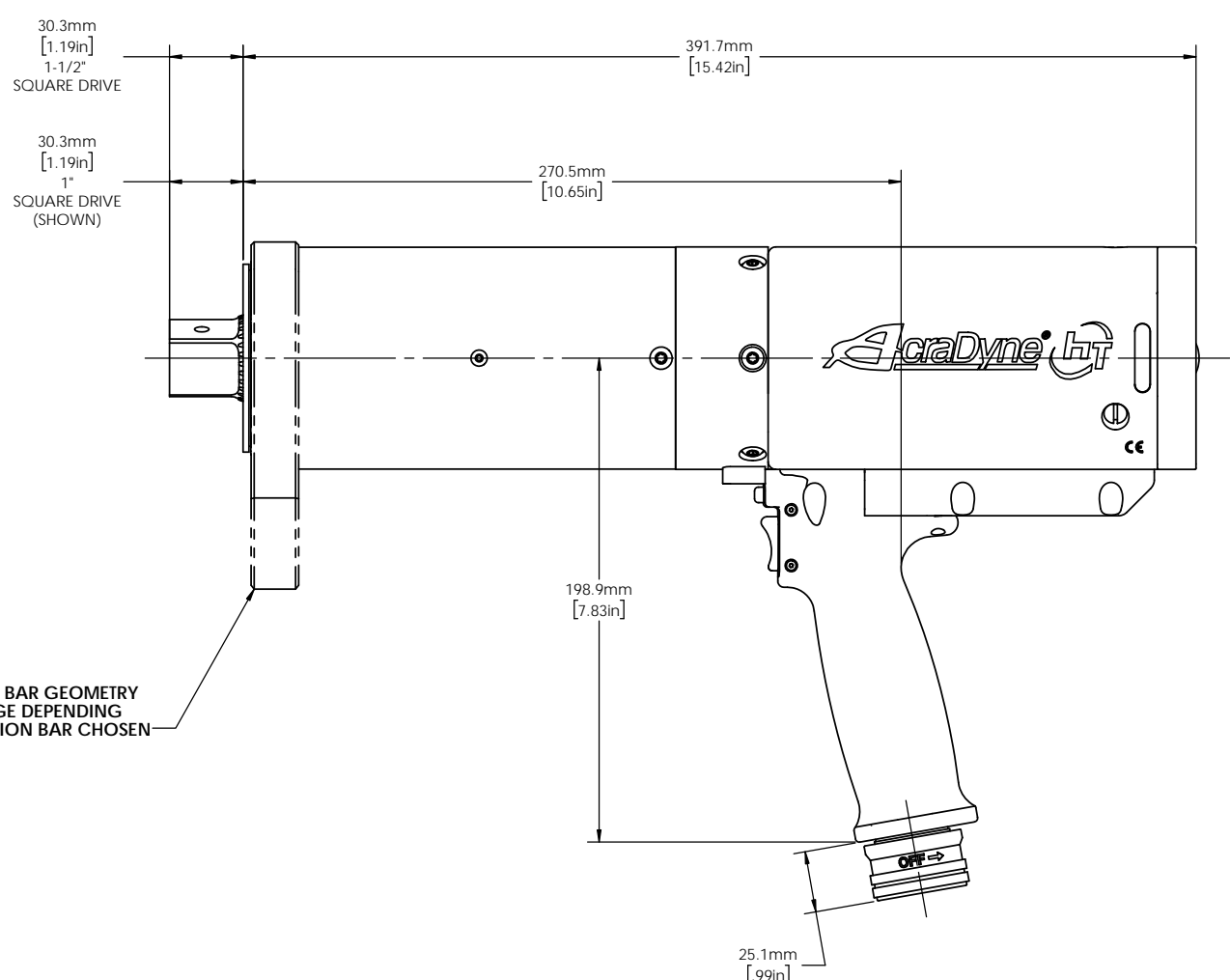
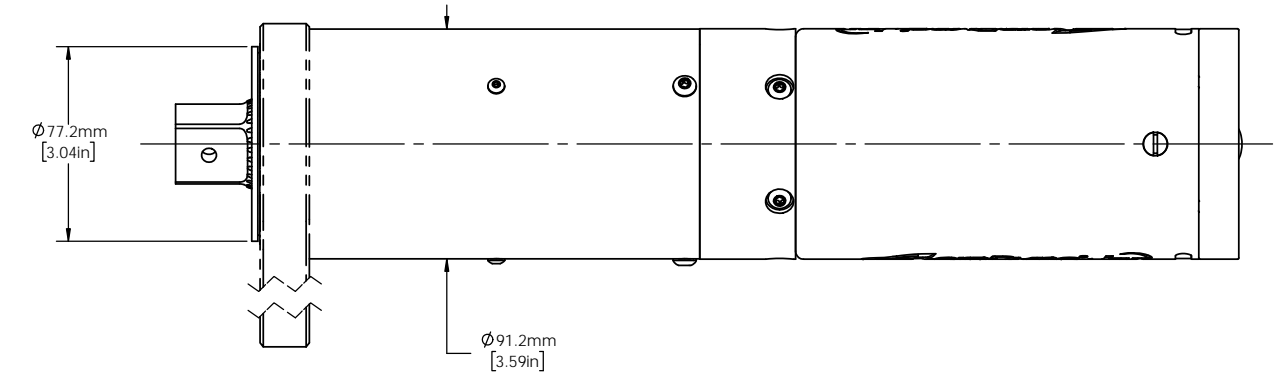
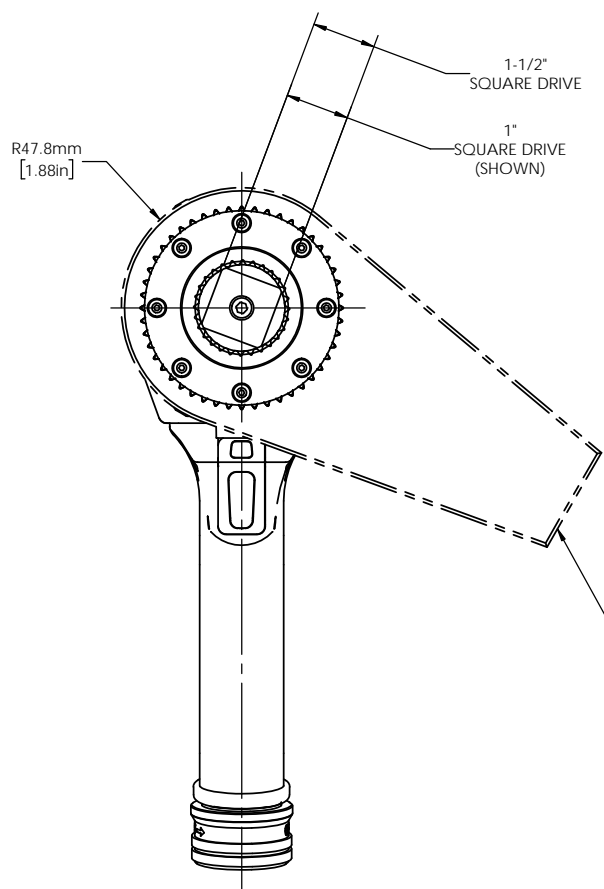
REMOVE BURRS AND SHARP EDGES: R.015 MAX MACHINE SURFACE FINISH: 125 RMS OR BETTER

DRAWINGS AND TECHNICAL DOCUMENTS CONTROLLED BY:
ACRADYNE MECHANICAL ENGINEERING

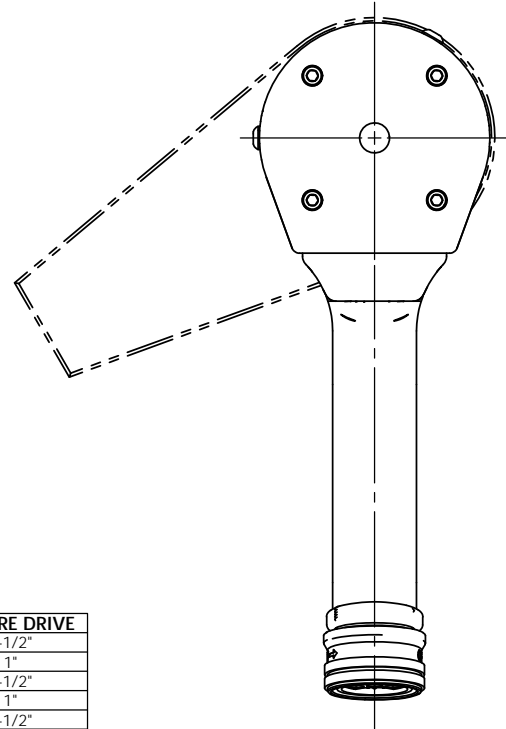
**PISTOL NUTRUNNER
W/SLIP RING CLUTCH
8000 SERIES**

SIZE	PART / DRAWING NUMBER	REVISION
D	AEP4_88__ _ _ _ B_	B

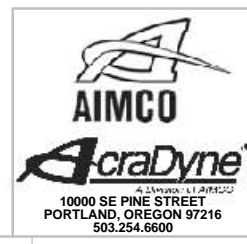
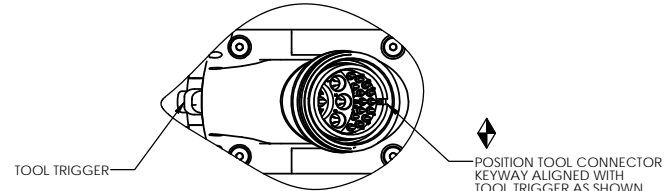
SCALE 1:8 DO NOT SCALE DRAWING SHEET 1 OF 2



NOTE:
REACTION BAR GEOMETRY
TO CHANGE DEPENDING
ON REACTION BAR CHOSEN



MODEL NO.	SQUARE DRIVE
AEP4B884200B	1-1/2"
AEP4B884200B1	1"
AEP4W884650B	1-1/2"
AEP4W884650B1	1"
AEP4B885000B	1-1/2"
AEP4B885000B1	1"



DOCUMENT CONTROL
PRINTED COPIES OF THIS DOCUMENT ARE CONSIDERED TO BE UNCONTROLLED DOCUMENTS. HOLDERS ARE RESPONSIBLE FOR VERIFYING THE CURRENT REVISION LEVEL WITH PURCHASING OR ENGINEERING PRIOR TO USE OR FABRICATION. THE CONTROLLED VERSION OF THIS DOCUMENT IS ELECTRONICALLY MAINTAINED.

PROPRIETARY AND CONFIDENTIAL
THIS DRAWING CONTAINS INFORMATION STRICTLY CONFIDENTIAL TO ACRADYNE/AIMCO. IN THE ABSENCE OF EXPRESSED WRITTEN PERMISSION, ACRADYNE/AIMCO HAS LOANED THIS COPY WITH THE MUTUAL UNDERSTANDING THAT (A) IT WILL NOT BE USED FOR ANY PURPOSE OTHER THAN FOR THAT IN WHICH IT WAS PROVIDED, (B) THE DATA CONTAINED HEREIN WILL NOT BE DISCLOSED TO OTHERS, (C) IT WILL NOT BE REPRODUCED, AND (D) IT WILL BE RETURNED TO ACRADYNE/AIMCO IMMEDIATELY UPON DEMAND.

UNLESS OTHERWISE SPECIFIED, DIMENSIONS ARE IN INCHES
DIMENSIONS AND TOLERANCING PER ANSI Y14.5
SURFACE ROUGHNESS PER ANSI Y14.36

BLOCK TOLERANCING PER DECIMAL:
.X = ±.030 .XX = ±.010 .XXX = ±.005 .XXXX = ±.0005
ANGLE = ±0° 30'

REMOVE BURRS AND SHARP EDGES: R.015 MAX
MACHINE SURFACE FINISH: 125 RMS OR BETTER

DRAWINGS AND TECHNICAL DOCUMENTS CONTROLLED BY:
ACRADYNE MECHANICAL ENGINEERING

**PISTOL NUTRUNNER
W/SLIP RING CLUTCH
8000 SERIES**

SIZE D	PART / DRAWING NUMBER AEP4_88_ _ _ _ B_	REVISION B
SCALE 1:8	DO NOT SCALE DRAWING	SHEET 2 OF 2