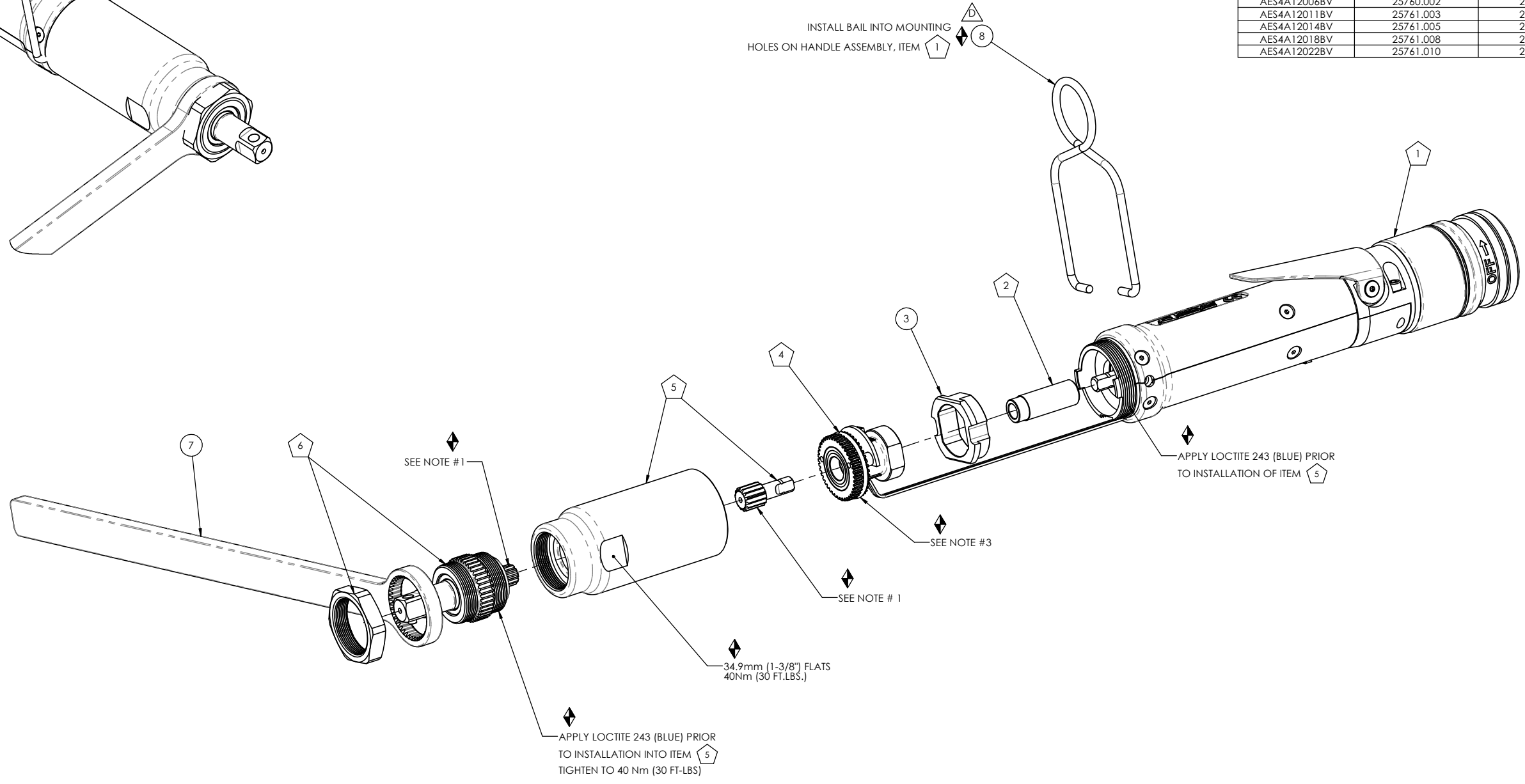


COMMENTS	ITEM NO.	PART NUMBER	QTY.	DESCRIPTION
	1	25786	1	HANDLE ASSEMBLY- 1000 SERIES
	2	24780	1	MOTOR COUPLER SUB-ASM.
	3	25763	1	TRANSDUCER ADAPTOR
	4	SEE CHART	1	TRANSDUCER SUB-ASM.
	5	SEE CHART	1	GEAR CASE SUB-ASM.
	6	25734	1	EXT. STRAIGHT OUTPUT ASM., 3/8" SQ. DR.
	7	SEE CHART	1	REACTION BAR, 1000 SERIES
	8	25501	1	BAIL

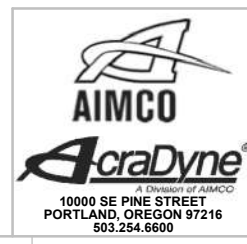
TOOL MODEL NO.	TRANSDUCER SUB-ASM.	GEAR CASE SUB-ASM.	REACTION BAR
AES4A12003BV	25759.001	24860	24696
AES4A12006BV	25760.002	24860	24696
AES4A12011BV	25761.003	24709	24696
AES4A12014BV	25761.005	24792	24696
AES4A12018BV	25761.008	24710	24696
AES4A12022BV	25761.010	24781	24697



◆ ASSEMBLY INSTRUCTIONS
 ◡ SUB-ASSEMBLY

- 1) GEARS & SPLINES: LUBRICATE WITH DOW CORNING MOLYKOTE BR2 PLUS GREASE.
- 2) BEARINGS: LUBRICATE WITH CHEVRON SR1 GREASE
- 3) O-RINGS: LUBRICATE WITH O-RING LUBE

REQUIRED TOOLING
SNAP-ON CROWFOOT WRENCH, 1/2" SQ. DR. X 1-3/8" OPENING SNAP-ON PART NUMBER SC044
MOTOR ASSEMBLY HOLDER - PART NUMBER 25894
LOCTITE #243 BLUE
TORQUE WRENCH, 1/2" DRIVE



DOCUMENT CONTROL
 PRINTED COPIES OF THIS DOCUMENT ARE CONSIDERED TO BE UNCONTROLLED DOCUMENTS. HOLDERS ARE RESPONSIBLE FOR VERIFYING THE CURRENT REVISION LEVEL WITH PURCHASING OR ENGINEERING PRIOR TO USE OR FABRICATION. THE CONTROLLED VERSION OF THIS DOCUMENT IS ELECTRONICALLY MAINTAINED.

PROPRIETARY AND CONFIDENTIAL
 THIS DRAWING CONTAINS INFORMATION STRICTLY CONFIDENTIAL TO ACRADYNE/AIMCO. IN THE ABSENCE OF EXPRESSED WRITTEN PERMISSION, ACRADYNE/AIMCO HAS LOANED THIS COPY WITH THE MUTUAL UNDERSTANDING THAT (A) IT WILL NOT BE USED FOR ANY PURPOSE OTHER THAN FOR THAT IN WHICH IT WAS PROVIDED, (B) THE DATA CONTAINED HEREIN WILL NOT BE DISCLOSED TO OTHERS, (C) IT WILL NOT BE REPRODUCED, AND (D) IT WILL BE RETURNED TO ACRADYNE/AIMCO IMMEDIATELY UPON DEMAND.

REVISION LEVEL	REVISION RELEASE DATE	DESCRIPTION OF CHANGES MADE TO PART	ECN #	AUTHOR/ APPROVAL

UNLESS OTHERWISE SPECIFIED, DIMENSIONS ARE IN INCHES
 DIMENSIONS AND TOLERANCING PER ANSI Y14.5
 SURFACE ROUGHNESS PER ANSI Y14.36

BLOCK TOLERANCING PER DECIMAL:
 .X = ±.030 .XX = ±.010 .XXX = ±.005 .XXXX = ±.0005
 ANGLE = ±0° 30'

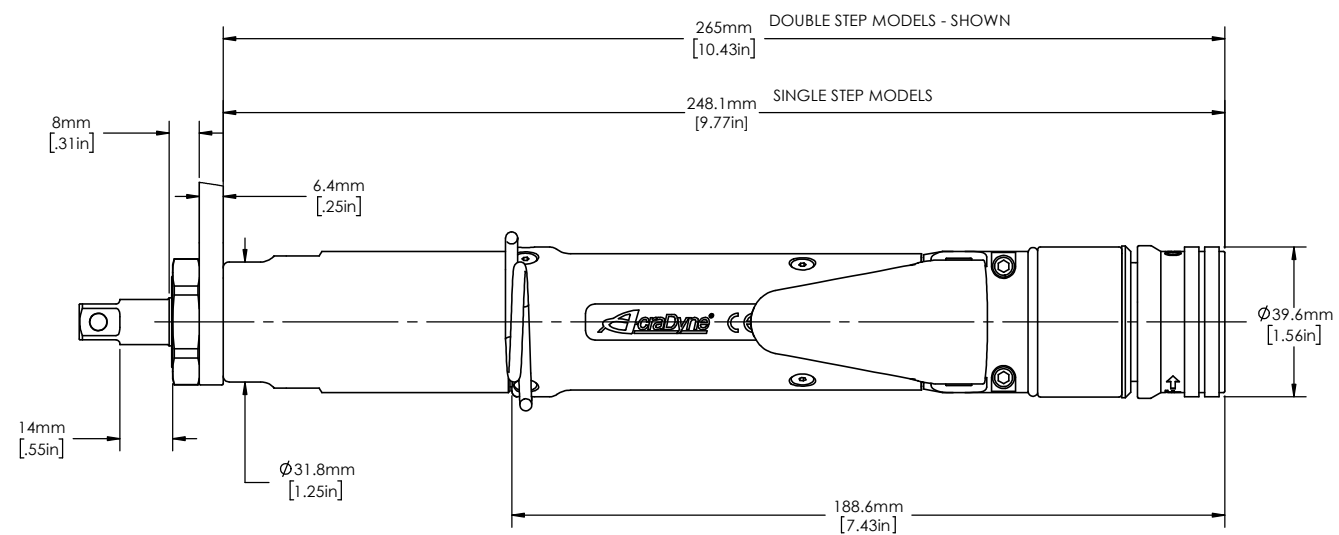
REMOVE BURRS AND SHARP EDGES: R.015 MAX
 MACHINE SURFACE FINISH: 125 RMS OR BETTER

DRAWINGS AND TECHNICAL DOCUMENTS CONTROLLED BY:
ACRADYNE MECHANICAL ENGINEERING

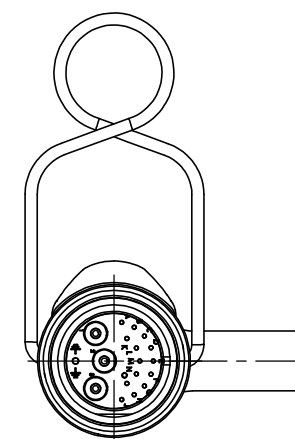
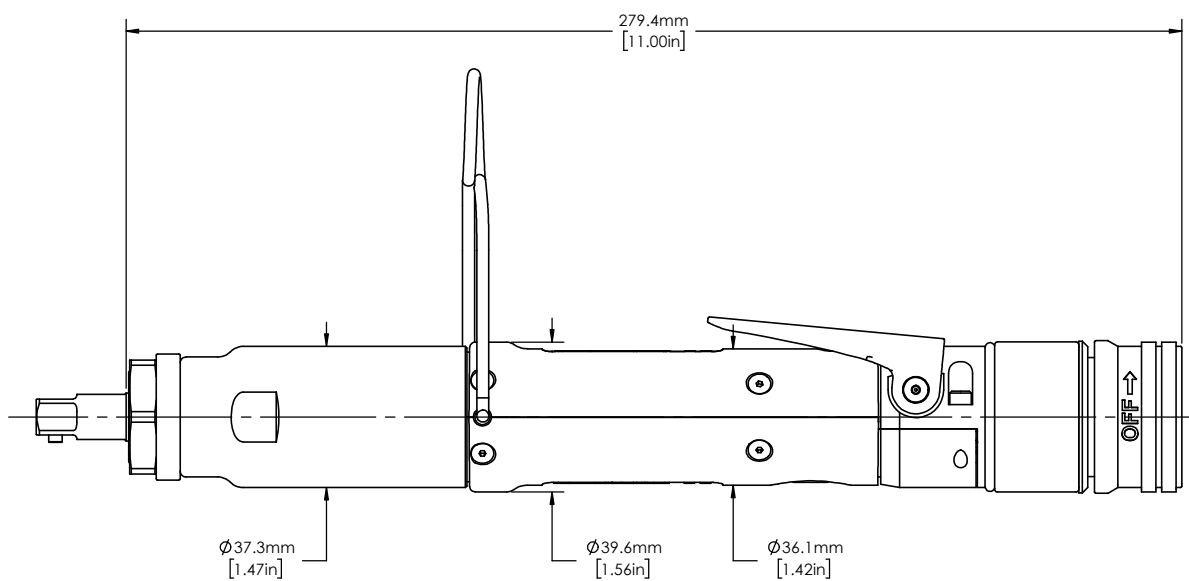
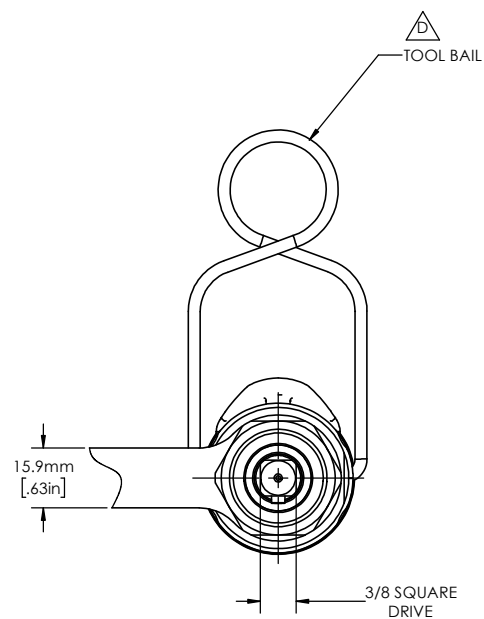
AES4A120_BV
INLINE NUTRUNNER, EXT. OUTPUT
GEN IV, 1000 SERIES

SIZE	PART / DRAWING NUMBER	REVISION
D	AES4A120_BV	D

SCALE 1:1 DO NOT SCALE DRAWING SHEET 1 OF 2



	MODEL NO.
SINGLE STEP MODELS	AES4A12003BV
	AES4A12006BV
DOUBLE STEP MODELS	AES4A12011BV
	AES4A12014BV
	AES4A12018BV
	AES4A12022BV



DOCUMENT CONTROL
 PRINTED COPIES OF THIS DOCUMENT ARE CONSIDERED TO BE UNCONTROLLED DOCUMENTS. HOLDERS ARE RESPONSIBLE FOR VERIFYING THE CURRENT REVISION LEVEL WITH PURCHASING OR ENGINEERING PRIOR TO USE OR FABRICATION. THE CONTROLLED VERSION OF THIS DOCUMENT IS ELECTRONICALLY MAINTAINED.

PROPRIETARY AND CONFIDENTIAL
 THIS DRAWING CONTAINS INFORMATION STRICTLY CONFIDENTIAL TO ACRADYNE/AIMCO. IN THE ABSENCE OF EXPRESSED WRITTEN PERMISSION, ACRADYNE/AIMCO HAS LOANED THIS COPY WITH THE MUTUAL UNDERSTANDING THAT (A) IT WILL NOT BE USED FOR ANY PURPOSE OTHER THAN FOR THAT IN WHICH IT WAS PROVIDED, (B) THE DATA CONTAINED HEREIN WILL NOT BE DISCLOSED TO OTHERS, (C) IT WILL NOT BE REPRODUCED, AND (D) IT WILL BE RETURNED TO ACRADYNE/AIMCO IMMEDIATELY UPON DEMAND.

REVISION LEVEL	REVISION RELEASE DATE	DESCRIPTION OF CHANGES MADE TO PART	ECN #	AUTHOR/ APPROVAL

UNLESS OTHERWISE SPECIFIED, DIMENSIONS ARE IN INCHES
 DIMENSIONS AND TOLERANCING PER ANSI Y14.5
 SURFACE ROUGHNESS PER ANSI Y14.36

BLOCK TOLERANCING PER DECIMAL:
 .X = ±.030 .XX = ±.010 .XXX = ±.005 .XXXX = ±.0005
 ANGLE = ±0° 30'

REMOVE BURRS AND SHARP EDGES: R.015 MAX
 MACHINE SURFACE FINISH: 125 RMS OR BETTER

DRAWINGS AND TECHNICAL DOCUMENTS CONTROLLED BY:
ACRADYNE MECHANICAL ENGINEERING

AES4A120_BV
INLINE NUTRUNNER, EXT. OUTPUT
GEN IV, 1000 SERIES

SIZE	PART / DRAWING NUMBER	REVISION
D	AES4A120_BV	D