

MODEL NO.	GEAR BOX ASM.
AES4A884200B	28112
AES4A884200B1	28113
AES4A885000B	28112
AES4A885000B1	28113

COMMENTS	ITEM NO.	PART NUMBER	QTY.	DESCRIPTION
	1	26160	1	MOTOR ASM.
	2	27714	1	O-RING 3" ID
	3	24840	1	FOIL SEAL 2" DIA
	4	25490	2	LENS, LED, INJECTION MOLDED
	5	29335	4	STANDOFF, M-F, 4-40 X 3/16, SS
	6	27796	1	TID BOARD, POPULATED W/AMP CIRCUIT
	7	29337	3	STANDOFF, M-F, 4-40 X 1/8, SS
	8	29338	1	TID WIRE INSULATOR
	9	25573	8	SCREW PHP 4-40 X 3/16 18-8 SS
	10	SEE CHART	1	GEAR BOX ASM.
	11	29279	3	SCREW, BHSC, 10-32 x 3/8, TORX HEAD, NYLON PELL-IT, STEEL
	12	31608	1	END CAP, AES MODELS
	13	25568	4	SHC 10-32 x 1.25 BLK OXIDE
	14	27660	1	TOOL CONNECTOR ASM., STRAIGHT
NOT SHOWN	15	28257	A/R	CABLE TIE, 1.65MM W X 71MM LG.
	16	25231	1	TRAY, WIRE, END GRIP
	17	25569	6	SCREW LHCS 10-32 X 3/8 18-8 SS
	18	29284	3	SCREW, BHSC, 10-32 X 1/2, TORX HEAD, NYLON PELL-IT, STEEL
	19	25564	3	WASHER SHIM .093THK .25ID .375OD
	20	26458	4	SCREW, SHC 10-32 X .44 LG., STEEL, BLACK OXIDE
	21	28211	1	[4] LINE MALE/FEMALE JUMPER ASM.
	22	31412	1	GROUND WIRE ASSEMBLY, 18 AWG, 8000 & 9000 HT SERIES
	23	31595	1	LEVER HANDLE, AES MODELS
	24	28058	1	FLANGE, HT DUAL LEVER
	25	26285	1	LEVER TRIGGER PCB ASM.
NOT SHOWN	26	26526	1	HT TOOL TRIGGER CABLE
	27	20132	1	THROTTLE SPRING
	28	26532	1	GEN 3 TRIGGER ASSY., CAST
	29	20061	2	SCREW, LEVER
	30	25745	4	SCREW, BHSC 4-40 STEEL, BLACK OXIDE
	31	24706	1	REV BUTTON SUB-ASSEMBLY
	32	24683	1	SPRING, REV BUTTON
	33	24679	1	RETAINING RNG
	34	24938	10	SCREW, FHSC 4-40X.188, STEEL, BLACK OXIDE
	35	26083	1	HANDLE COVER
	36	26084	1	HANDLE COVER, MFB
	37	24934	2	SCREW, FHC 4-40 X .312, STEEL, BLACK OXIDE
	38	25284	1	HT TOOL TRANSDUCER SLEEVE
	39	25218	3	SCREW, BHSC, 6-32 X 5/16, SS
	40	26898	1	CHOOSE REACTION BAR
NOT SHOWN	41	24177	A/R	RTV 108, TRANSLUCENT

- ◆ ASSEMBLY INSTRUCTIONS
- ◻ SUB-ASSEMBLY

- 1) GEARS & SPLINES: LUBRICATE WITH DOW CORNING MOLYKOTE BR2 PLUS GREASE.
- 2) BEARINGS: LUBRICATE WITH CHEVRON SR1 GREASE
- 3) O-RINGS: LUBRICATE WITH O-RING LUBE



DOCUMENT CONTROL
 PRINTED COPIES OF THIS DOCUMENT ARE CONSIDERED TO BE UNCONTROLLED DOCUMENTS. HOLDERS ARE RESPONSIBLE FOR VERIFYING THE CURRENT REVISION LEVEL WITH PURCHASING OR ENGINEERING PRIOR TO USE OR FABRICATION. THE CONTROLLED VERSION OF THIS DOCUMENT IS ELECTRONICALLY MAINTAINED.

PROPRIETARY AND CONFIDENTIAL
 THIS DRAWING CONTAINS INFORMATION STRICTLY CONFIDENTIAL TO ACRADYNE/AIMCO. IN THE ABSENCE OF EXPRESSED WRITTEN PERMISSION, ACRADYNE/AIMCO HAS LOANED THIS COPY WITH THE MUTUAL UNDERSTANDING THAT (A) IT WILL NOT BE USED FOR ANY PURPOSE OTHER THAN FOR THAT IN WHICH IT WAS PROVIDED, (B) THE DATA CONTAINED HEREIN WILL NOT BE DISCLOSED TO OTHERS, (C) IT WILL NOT BE REPRODUCED, AND (D) IT WILL BE RETURNED TO ACRADYNE/AIMCO IMMEDIATELY UPON DEMAND.

REVISION LEVEL	REVISION RELEASE DATE	DESCRIPTION OF CHANGES MADE TO PART	ECN #	AUTHOR/ APPROVAL

UNLESS OTHERWISE SPECIFIED, DIMENSIONS ARE IN INCHES
 DIMENSIONS AND TOLERANCING PER ANSI Y14.5 SURFACE ROUGHNESS PER ANSI Y14.36

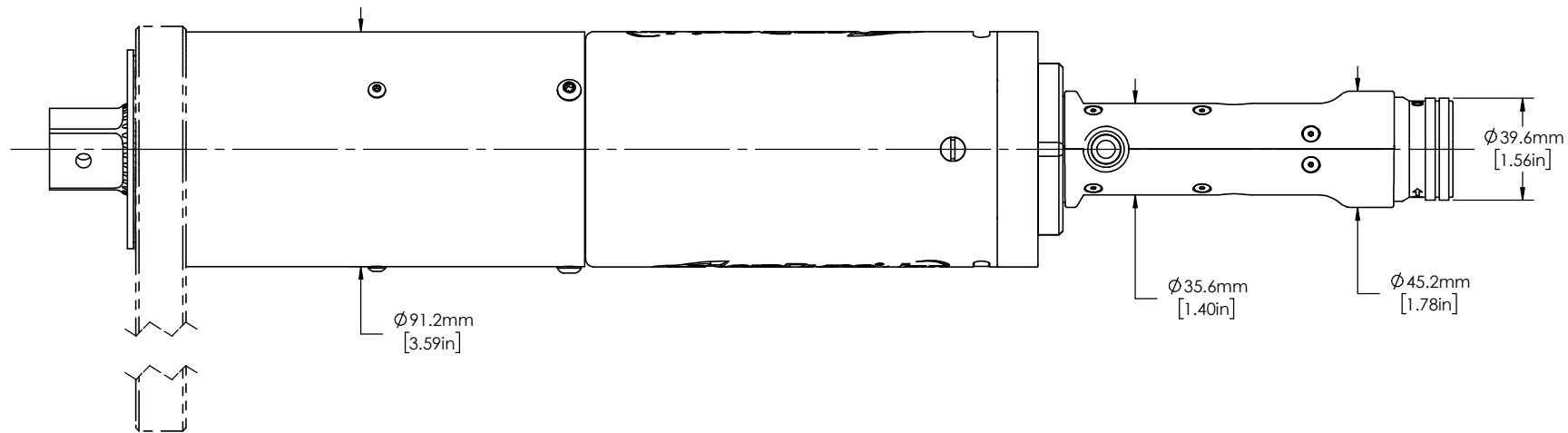
BLOCK TOLERANCING PER DECIMAL:
 X = ±.030 XX = ±.010 XXX = ±.005 XXXX = ±.0005
 ANGLE = ±0° 30'

REMOVE BURRS AND SHARP EDGES: R.015 MAX MACHINE SURFACE FINISH: 125 RMS OR BETTER

DRAWINGS AND TECHNICAL DOCUMENTS CONTROLLED BY:
ACRADYNE MECHANICAL ENGINEERING

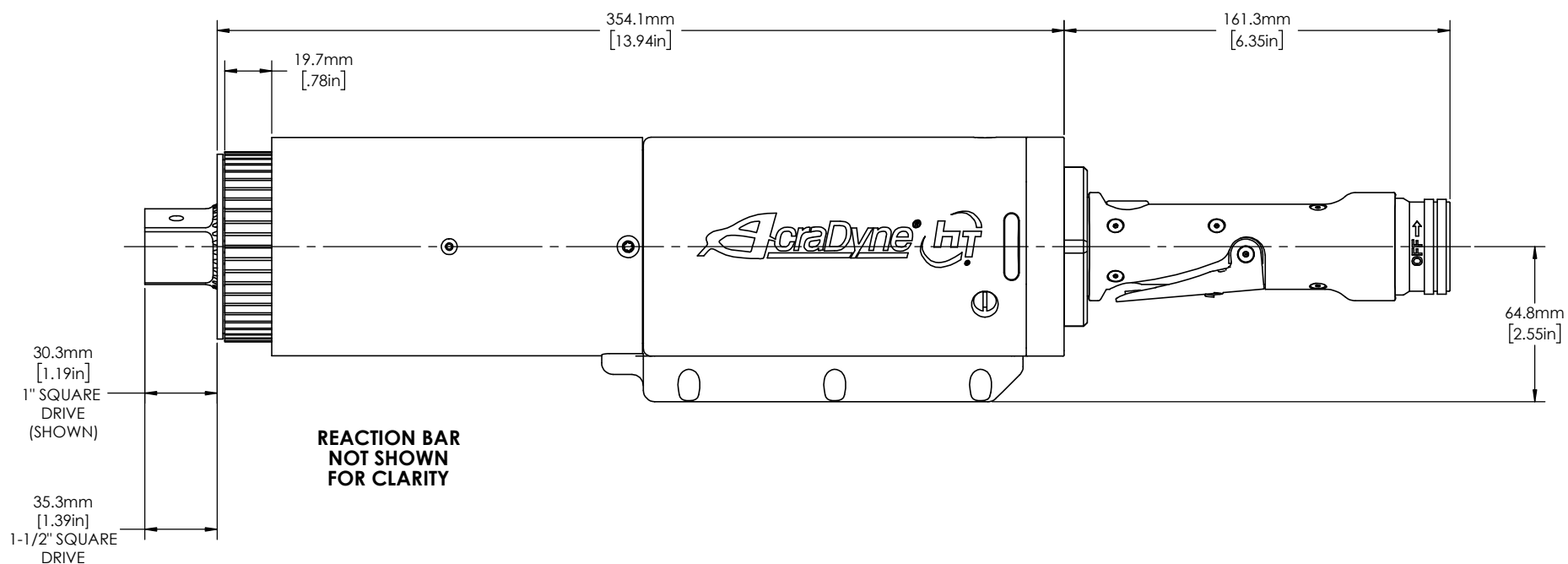
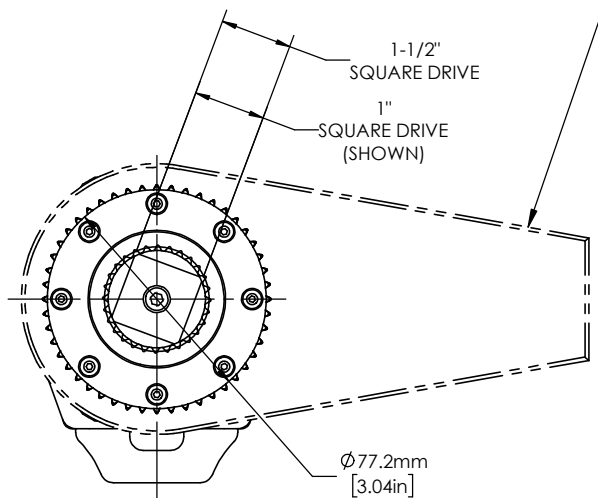
**INLINE NUTRUNNER
8000 SERIES**

SIZE	PART / DRAWING NUMBER	REVISION
D	AES4A88	B A
SCALE: 2:3	DO NOT SCALE DRAWING	SHEET 1 OF 2

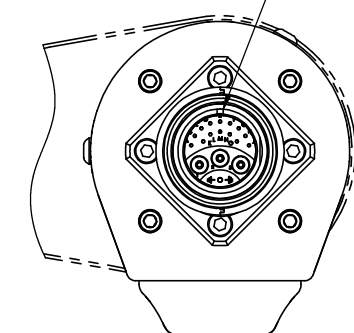


MODEL NO.	SQUARE DRIVE
AES4A884200B	1-1/2"
AES4A884200B1	1"
AES4A885000B	1-1/2"
AES4A885000B1	1"

**NOTE:
REACTION BAR GEOMETRY
TO CHANGE DEPENDING
ON REACTION BAR CHOSEN**



POSITION TOOL CONNECTOR
AS SHOWN



**REACTION BAR
NOT SHOWN
FOR CLARITY**



DOCUMENT CONTROL
PRINTED COPIES OF THIS DOCUMENT ARE CONSIDERED TO BE UNCONTROLLED DOCUMENTS. HOLDERS ARE RESPONSIBLE FOR VERIFYING THE CURRENT REVISION LEVEL WITH PURCHASING OR ENGINEERING PRIOR TO USE OR FABRICATION. THE CONTROLLED VERSION OF THIS DOCUMENT IS ELECTRONICALLY MAINTAINED.

PROPRIETARY AND CONFIDENTIAL
THIS DRAWING CONTAINS INFORMATION STRICTLY CONFIDENTIAL TO ACRADYNE/AIMCO. IN THE ABSENCE OF EXPRESSED WRITTEN PERMISSION, ACRADYNE/AIMCO HAS LOANED THIS COPY WITH THE MUTUAL UNDERSTANDING THAT (A) IT WILL NOT BE USED FOR ANY PURPOSE OTHER THAN FOR THAT IN WHICH IT WAS PROVIDED, (B) THE DATA CONTAINED HEREIN WILL NOT BE DISCLOSED TO OTHERS, (C) IT WILL NOT BE REPRODUCED, AND (D) IT WILL BE RETURNED TO ACRADYNE/AIMCO IMMEDIATELY UPON DEMAND.

REVISION LEVEL	REVISION RELEASE DATE	DESCRIPTION OF CHANGES MADE TO PART	ECN #	AUTHOR/ APPROVAL

**UNLESS OTHERWISE SPECIFIED,
DIMENSIONS ARE IN INCHES**
DIMENSIONS AND TOLERANCING PER ANSI Y14.5
SURFACE ROUGHNESS PER ANSI Y14.36

BLOCK TOLERANCING PER DECIMAL:
.X = ±.030 .XX = ±.010 .XXX = ±.005 .XXXX = ±.0005
ANGLE = ±0° 30'

REMOVE BURRS AND SHARP EDGES: R.015 MAX
MACHINE SURFACE FINISH: 125 RMS OR BETTER

DRAWINGS AND TECHNICAL DOCUMENTS CONTROLLED BY:
ACRADYNE MECHANICAL ENGINEERING

**INLINE NUTRUNNER
8000 SERIES**

SIZE	PART / DRAWING NUMBER	REVISION
D	AES4A88	B
SCALE 3:4	DO NOT SCALE DRAWING	SHEET 2 OF 2