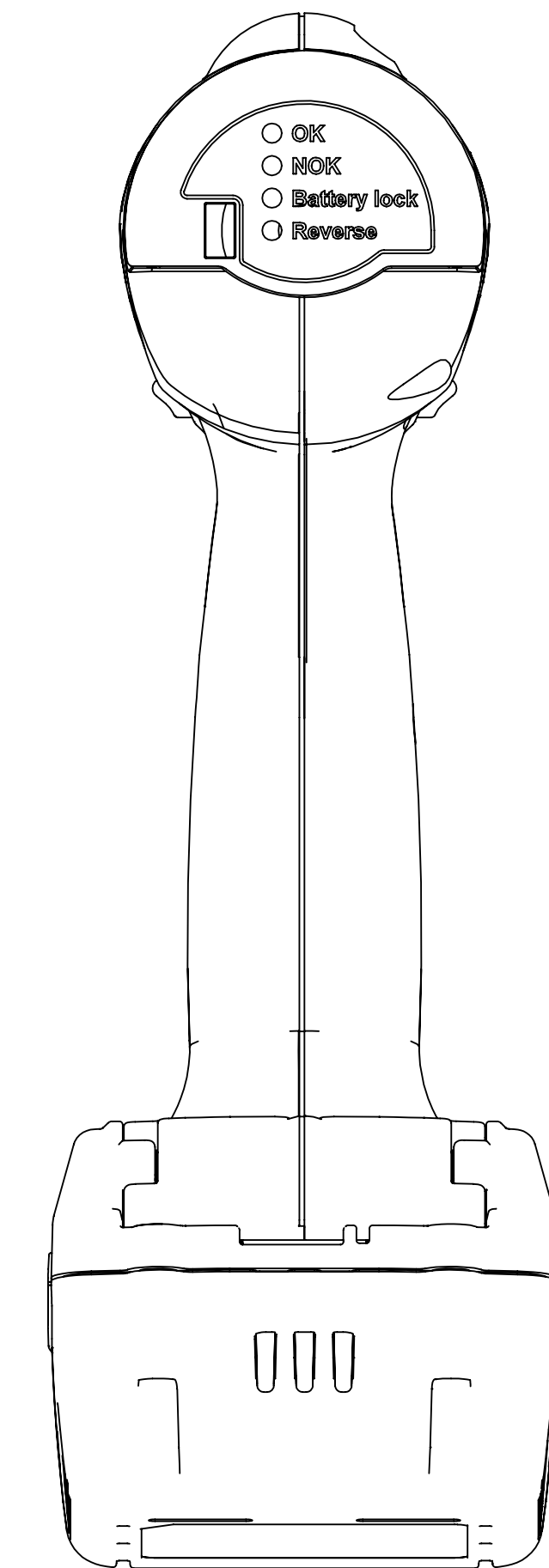
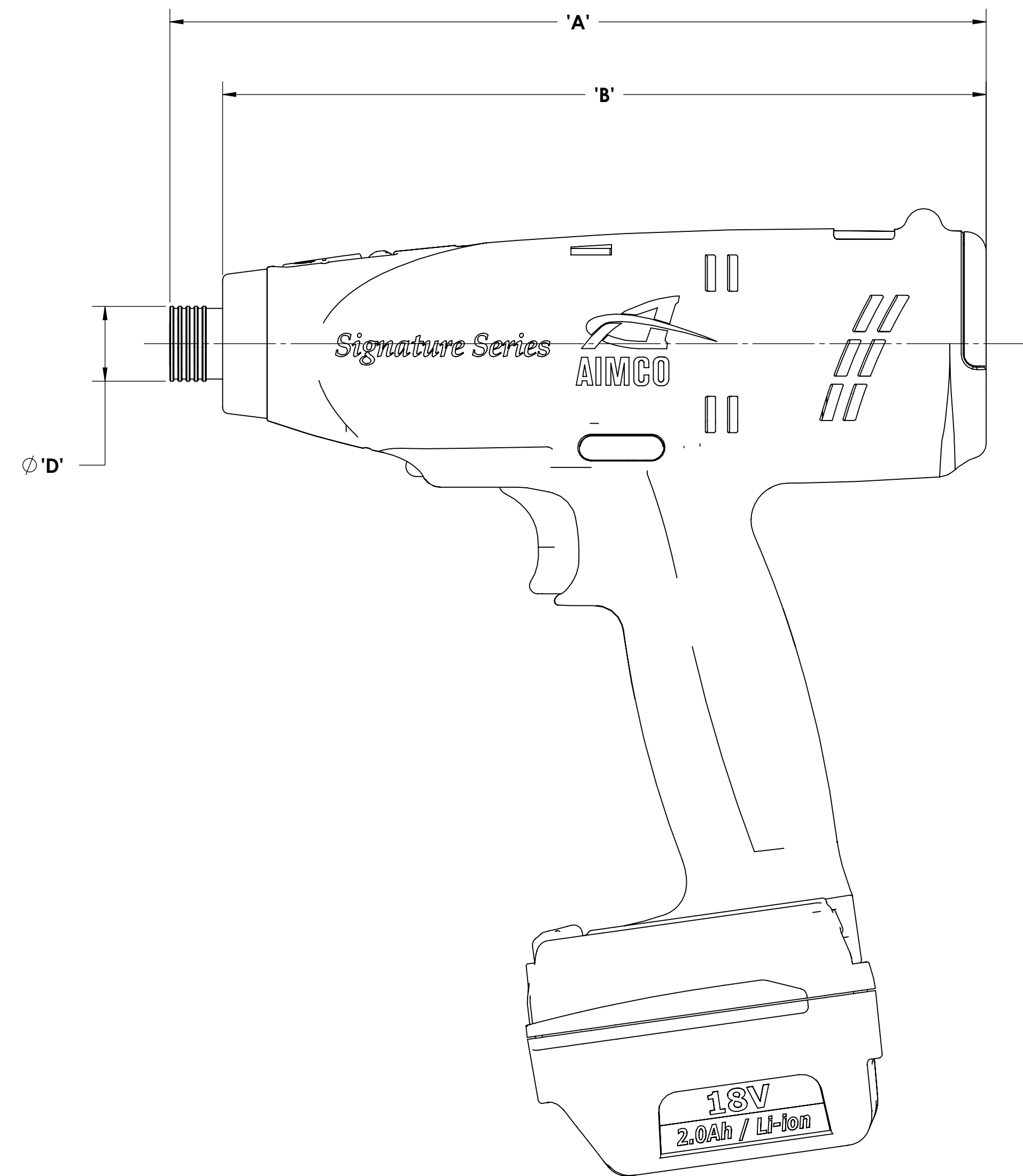
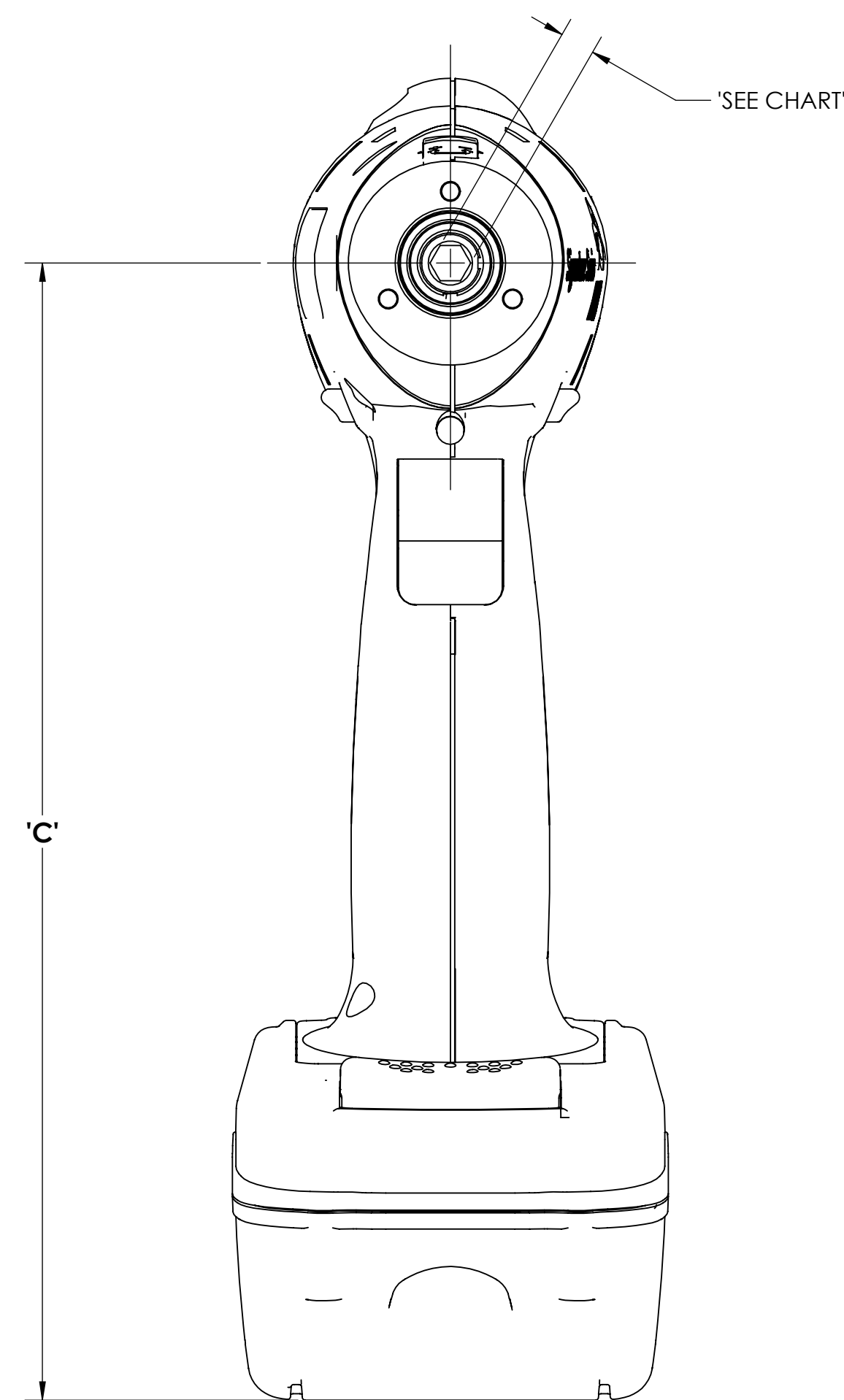
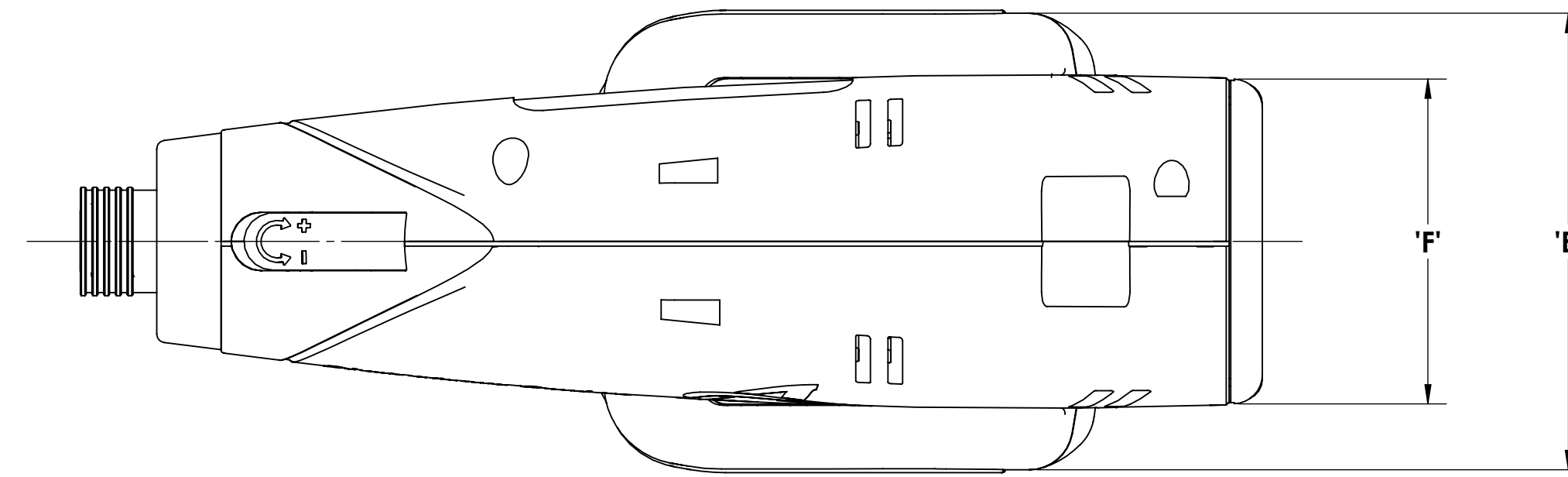


MODEL NO.	'A'	'B'	'C'	'D'	'E'	'F'	OUTPUT
SPC-P2325Q	202.1mm [7.96in]	189mm [7.44in]	206.1mm [8.11in]	Ø18.5mm [.73in]	78mm [3.07in]	55.5mm [2.19in]	1/4" HEX
SPC-P2625Q	202.1mm [7.96in]	189mm [7.44in]	206.1mm [8.11in]	Ø18.5mm [.73in]	78mm [3.07in]	55.5mm [2.19in]	1/4" HEX
SPC-P2925Q	202.1mm [7.96in]	189mm [7.44in]	206.1mm [8.11in]	Ø18.5mm [.73in]	78mm [3.07in]	55.5mm [2.19in]	1/4" HEX
SPC-P21225Q	202.1mm [7.96in]	189mm [7.44in]	206.1mm [8.11in]	Ø18.5mm [.73in]	78mm [3.07in]	55.5mm [2.19in]	1/4" HEX



SIGNATURE SERIES PISTOL TOOLS
SPC-P2_ _ _ _