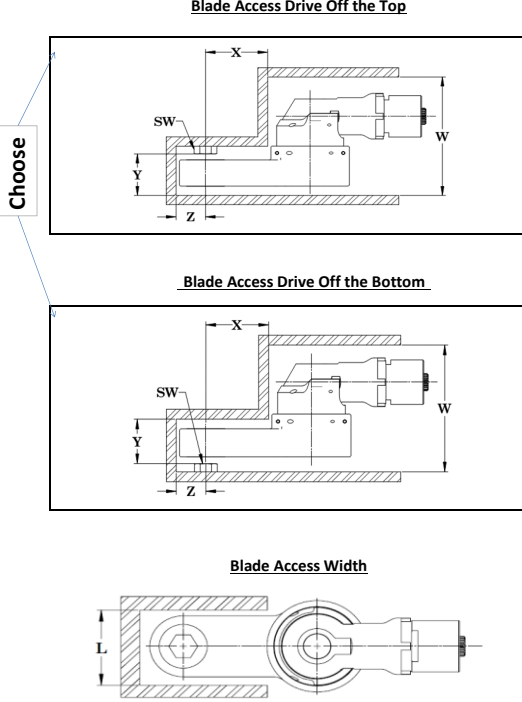
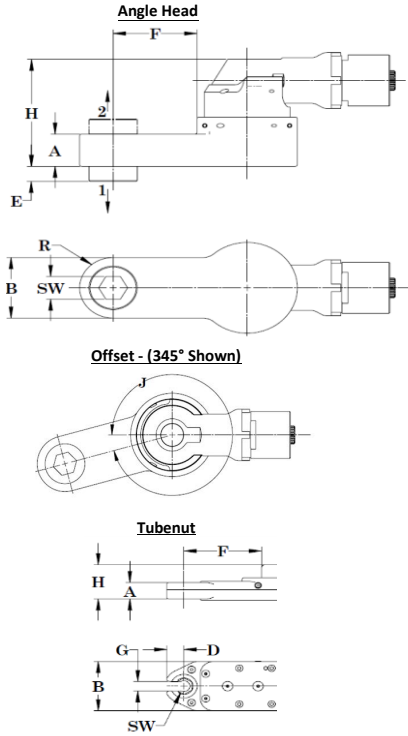


Date: \_\_\_\_\_ Name: \_\_\_\_\_  
E-mail: \_\_\_\_\_ Phone: \_\_\_\_\_



Choose

**AcraDyne Use Only**

**ALL INFORMATION IN THIS SECTION IS REQUIRED FOR QUOTE**

Vendor: \_\_\_\_\_

**Head Technical Details**

Vendor Head Number: \_\_\_\_\_

Socket Part Number: \_\_\_\_\_

Gear Head/Tubenut: \_\_\_\_\_

Interface: \_\_\_\_\_

Base Tool Max. Input Torque: \_\_\_\_\_

Driving Direction - Input: \_\_\_\_\_

Head Thickness "A": \_\_\_\_\_

Head Width "B": \_\_\_\_\_

Center of Socket to End of Tubenut "D": \_\_\_\_\_

Reach (Length of Blade) "F": \_\_\_\_\_

Tubenut Socket Slot "G": \_\_\_\_\_

Head Height "H": \_\_\_\_\_

Nose Radius "R": \_\_\_\_\_

Head Max. Output Torque: \_\_\_\_\_

Gear Head Ratio: \_\_\_\_\_

Head Efficiency: \_\_\_\_\_

**Required Documents**

Gear Head / Tubenut Assembly documents: \_\_\_\_\_

STP Files: \_\_\_\_\_

Outline Drawings (dimensional): \_\_\_\_\_

**Socket Details:**

Hex Size "SW": \_\_\_\_\_

"SW" Depth: \_\_\_\_\_

Socket Drive Type: \_\_\_\_\_

Socket Extension "E": \_\_\_\_\_

Socket Extension Direction: \_\_\_\_\_

Tubenut - "Open End": \_\_\_\_\_

Gear Head - "Closed End": \_\_\_\_\_

Tube Diameter: \_\_\_\_\_

---

**Main Dimensions:**

Offset Angle "J": \_\_\_\_\_

"W": \_\_\_\_\_

"X": \_\_\_\_\_

"Y": \_\_\_\_\_

"Z": \_\_\_\_\_

"L": \_\_\_\_\_

---

**Torque at the Fastener:**

Nominal: \_\_\_\_\_

Maximum: \_\_\_\_\_

Driving Direction - Output: \_\_\_\_\_

---

**Remarks:**